



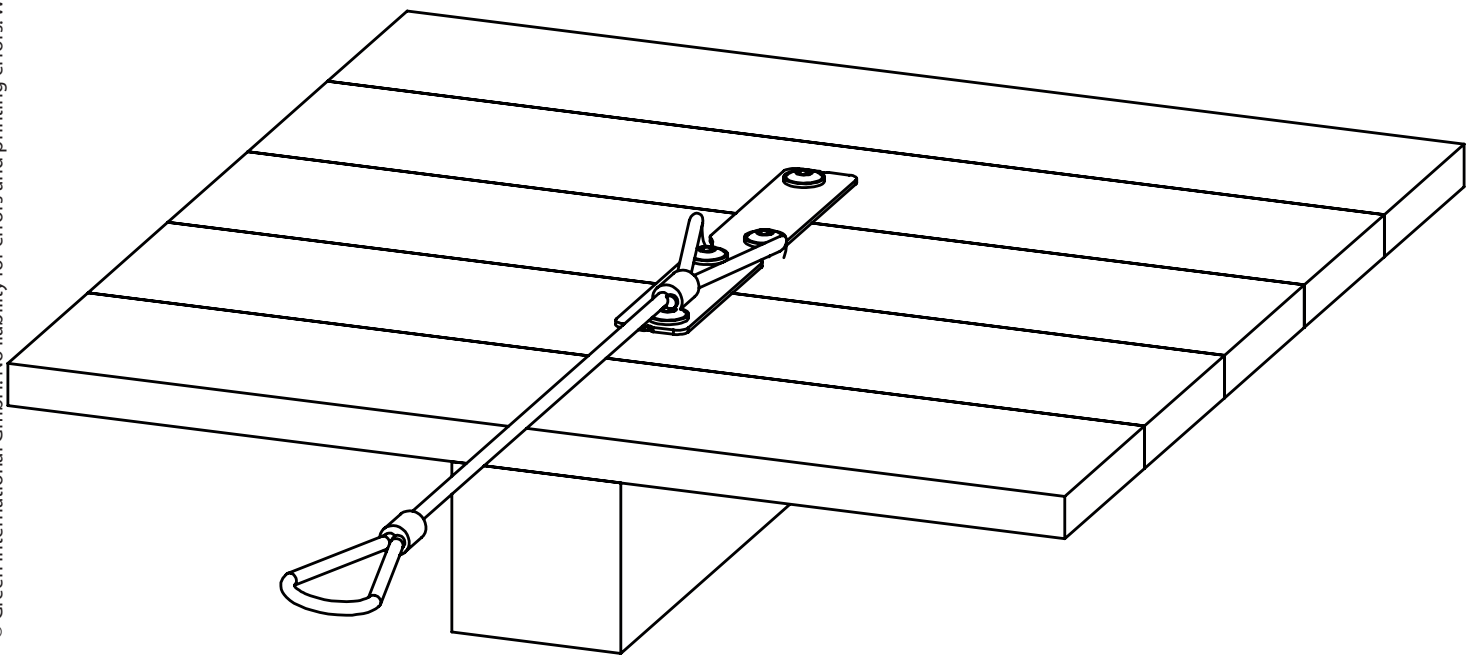
**Instructions for installation and use**  
Read product description carefully



# GREEN

## INTERNATIONAL

© Green International GmbH. No liability for errors and printing errors. We reserve the right to make technical changes.



# SLOOPE

ENGLISH

V-20.01.20

## DE ACHTUNG



Die Montage und die Verwendung der Sicherungseinrichtung ist erst zulässig, nachdem der Monteur und der Anwender die Original Aufbau- und Verwendungsanleitung in der jeweiligen Landessprache gelesen hat.

## EN ATTENTION



Assembling and using of the safety product is only allowed after the assembler and user read the original installation and application instruction in his national language.

## FR ATTENTION



Le montage et l'utilisation du dispositif de sécurité ne sont autorisés qu'après lecture par le monteur et par l'utilisateur de la notice d'origine de montage et d'utilisation dans la langue du pays concerné.

## IT ATTENZIONE



Il montaggio e l'uso del dispositivo di sicurezza è ammesso soltanto dopo che il montatore e l'utente hanno letto le istruzioni per l'installazione e l'uso nella rispettiva lingua nazionale.

## ES ATENCIÓN



No está permitido montar ni usar el dispositivo de protección antes de que el montador y el usuario hayan leído las instrucciones de montaje y uso originales en la lengua del respectivo país.

## PT ATENÇÃO



A montagem e o emprego do mecanismo de proteção somente serão permitidos, após o montador e o usuário terem lido as instruções de uso originais, no respectivo idioma do país, sobre a montagem e o emprego do

## NL ATTENTIE



De montage en het gebruik van de veiligheidsinrichting is pas toegestaan, nadat de monteur en de gebruiker de originele montage en gebruikershandleiding in de desbetreffende taal gelezen hebben.

## HU FIGYELEM



A biztonsági berendezés felszerelése és használata csak az után megengedett, miután a szerelést végző és a használó személyek a nemzeti nyelvükre lefordított, eredeti használati utasítást elolvasták és megértették.

## SL POZOR



Montaža in uporaba varnostnih naprav je dovoljena šele takrat, ko sta monter in uporabnik prebrala originalna navodila za montažo in uporabo v konkretnem jeziku.

## CZ POZOR



Montáž a používání zabezpečovacího zařízení jsou povoleny až poté, co si pracovníci provádějící montáž a uživatelé přečetli v příslušném jazyce originální návod k montáži a používání.

## TR DİKKAT



Güvenlik tertibatının montajına ve kullanımına, ancak montaj teknisyeni ve kullanıcı, orijinal kurulum ve kullanma talimatını kendi ülke dilinde okuduktan sonra, izin verilir.

## NO OBS



Monteringen og anvendelsen av sikkerhetsinnretningene er gyldige først etter at montøren og brukeren har lest den originale oppbygnings- og bruksanvisningen i det tilsvarende landets språk.

## SV OBS



Säkerhetsanordningen får inte monteras och användas förrän montören och användaren har läst igenom konstruktionsbeskrivningen och bruksanvisningen i original på resp lands språk.

## FI HUOMIO

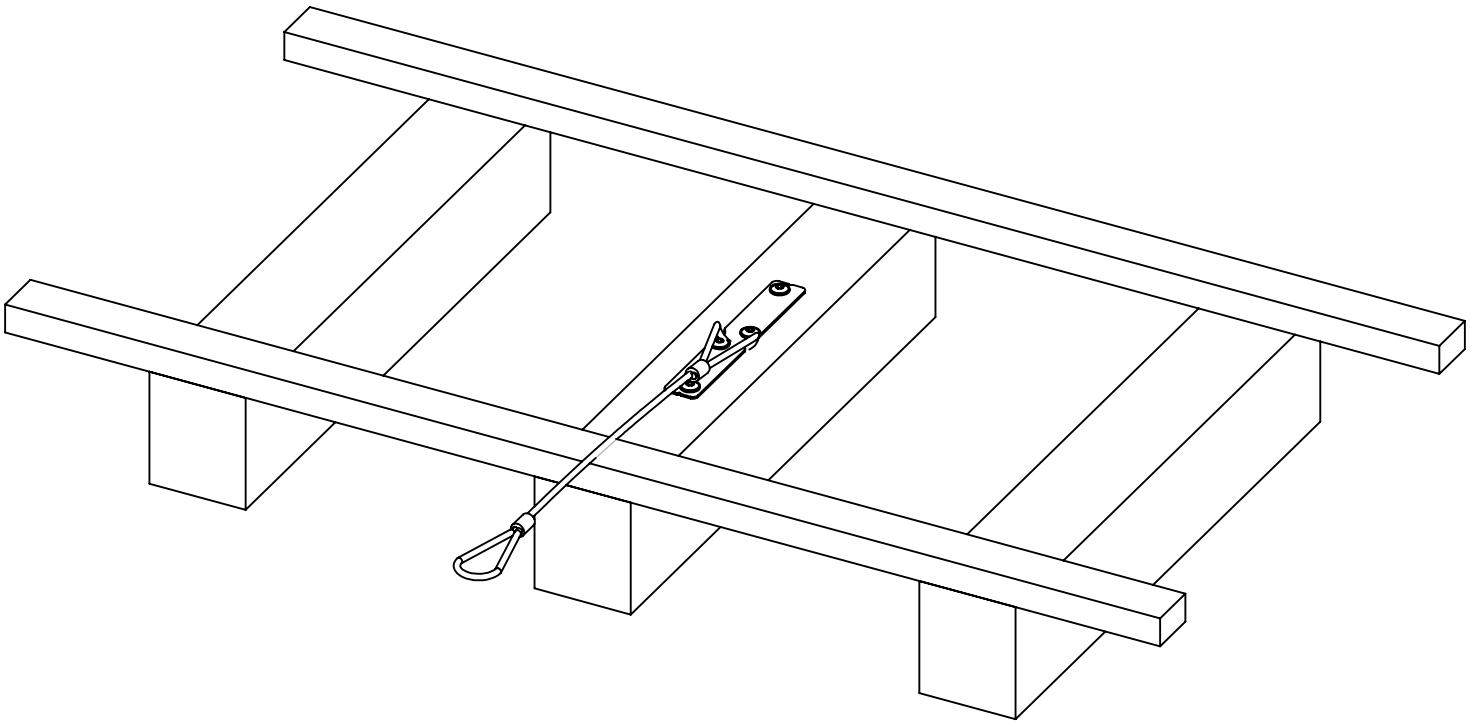


Turvalaitteiden asennus ja käyttö on sallittu vasta, kun asentaja ja käyttäjä ovat lukeneet alkuperäisen asennus- ja käyttöohjeen omalla kielellään.

## DA GIV AGT



Montagen og brugen af sikkerhedsudstyret er først tilladt, efter at montøren og brugeren har læst den originale vejledning i samling og brug på det pågældende lands sprog.



**PROJECT DATA**

**SYSTEM DESCRIPTION**

**INSTALLATION FIRM**

© Green International GmbH. No liability for errors and printing errors. We reserve the right to make technical changes.

**Table of Contents:**

<b>1. General Safety Instructions</b>	<b>5</b>
<b>2. For safe installation</b>	<b>5</b>
<b>3. For safe use</b>	<b>6</b>
<b>4. Warranty coverage</b>	<b>6</b>
<b>5. Review</b>	<b>6</b>
5.1. Inspection after installation	6
5.2. Inspection before use	6
5.3. Annual review	7
<b>6. Application/certifications</b>	<b>7</b>
6.1. Application	7
6.2. Certifications	7
6.3. Delivery point of the anchorage system	7
6.4. Signs and markings	7
<b>7. General information on installation</b>	<b>8</b>
7.1. Set & Tools	8
7.2. Roof assembly 1	8
7.3. Roof assembly 2	9
<b>8. Installation instructions</b>	<b>9</b>
8.1. Position 1	9
8.2. Position 2	10
8.3. Installation 1	10
8.4. Installation 2	11
8.5. Installation 3	11
8.6. Installation 4	12
8.7. Installation 5	12
8.8. Installation 6	13
<b>9. Load directions</b>	<b>13</b>
<b>10. Installation protocol</b>	<b>14</b>
<b>11. Notes on the existing roof safety system</b>	<b>15</b>
<b>12. Control card</b>	<b>16</b>
<b>13. Notes</b>	<b>17</b>
<b>14. Notes</b>	<b>18</b>
<b>15. Notes</b>	<b>19</b>

## 1. General safety instructions

---

- The anchorage device should be planned, installed and used in such a way that it cannot fall over the edge if the personal protective equipment is used properly.
- A safe way to reach the anchorage device must be guaranteed.
- The system may only be installed or used by persons who are familiar with these operating instructions and with the local safety regulations, are physically or mentally healthy and have been trained in PPE (personal protective equipment).
- Children and pregnant women should not use the safety system.
- Health restrictions (heart and circulation problems, medication intake, alcohol) can impair the user's safety when working at height.
- During installation/use of the GREEN, anchorage devices, the relevant accident prevention regulations (e.g. work on roofs) must be observed.
- If you commission the safety system to external contractors, the instructions for assembly and use are to be provided in writing.
- After a fall event, any further use of the entire safety system is to be avoided and the system must be checked by an expert (component parts, fastening to the subsurface, etc.).
- All overhauls must only be carried out in agreement with the manufacturer.
- The GREEN anchorage devices were developed for personal safety and may not be used for other purposes. Never attach undefined loads to the security systems.
- No changes may be made to the approved anchorage devices.
- For sloping roofs, roof avalanches (ice, snow) must be prevented by snow traps to intercept snow.
- The national lightning protection regulations must be observed.
- If the system is sold in another country, the user manual must be provided in the respective national language.

## 2. For safe installation

---

- The "SLOOPE" anchor point may only be installed by suitable, competent persons familiar with the roof safety system.
- The installers must ensure that the mounting surface is suited for attaching the anchorage device. If in doubt, a structural engineer should be consulted.
- The professional installation or fastening of the safety system to the building must be documented by protocols and photos of the respective installation situation.
- Any waterproofing of the roof covering must be carried out professionally in accordance with the relevant guidelines.
- When accessing the roof safety system, the positions of the anchorage devices are to be documented in plans (e.g. a sketch of the roof-top view).
- Stainless steel must not come into contact with grinding dust or steel tools. This can lead to the formation of corrosion.
- The combination of individual elements of the above equipment may cause hazards as the safe functioning of one of the elements may be impaired (follow the relevant instructions for use!).
- If any uncertainties should arise during installation, it is essential to contact the manufacturer.

### 3. For safe use

- Before starting work, measures must be taken to ensure that no objects can fall down from the workplace. The area below the work site (sidewalk, etc.) must be kept free.
- Before use, the entire security system should be visually inspected for obvious defects (such as loose screw connections, deformation, wear, corrosion, defective roof seals, etc.). If there are doubts as to the safety of the security system, it must be inspected by an expert (with written documentation).
- For wind forces exceeding the usual level, the safety system must not be used.
- The anchorage device on the roof is designed to be used in all directions parallel to the installation surface.
- The anchorage device is not suitable for rope-supported work (abseiling work, etc.).
- The attachment to the GREEN anchorage device is always made with a carabiner at the eyelet and must be done with a safety harness according to EN 361 and a force-absorbing fall arrester with connection means (EN 355, EN 354 and EN 353-2).
- **Warning:** For horizontal use, only connection devices may be used that are suitable for this purpose and tested for the corresponding edge design (sharp edges, trapezoidal sheet metal, steel beam, concrete, etc.).
- The connection means must always be set as short as possible in order to reduce the possible free fall height to a minimum in the event of a fall.
- A plan must be in place to take rescue measures into account in all possible emergencies.
- The required minimum clearance below the fall edge to the ground is calculated from:
  - Deformation (max. 0.1 m) of the anchorage device in case of load event
  - + manufacturer information on personal protective equipment used
  - + body height
  - + 1 m safety distance
- Attention: Snow clearance at the facility required due to snow pressure load

### 4. Warranty coverage

The system components of the "SLOOPE" anchorage device are made of stainless steel. Under normal operating and environmental conditions, all components are warranted against manufacturing defects for 2 years. However, if the attachment point is used in particularly corrosive atmospheres, this period may be shortened. In the event of a load (user fall), the warranty claim expires.

#### Warning:

It is pointed out that any recourse claims are excluded if the instructions for use are not observed or if the documentation is incomplete. GREEN International Absturzsicherungs GmbH assumes neither responsibility nor warranty for system and component assembly supplied and installed by assembly companies under their responsibility.

### 5. Review

#### 5.1. Inspection after installation

After installation, the following points must be observed:

- Screws fully screwed in
- Attachment point has a perfect, firm fit
- Fill in the installation report (see page 12)
- Do not forget the photo documentation (during installation)

#### 5.2. Inspection before use

- Inspection of components for obvious defects (deformation, ...)
- Attachment point has a perfect, firm fit

### 5.3. Annual review

The entirety of the safety equipment must be subjected to inspection by an expert at least once a year. The safety of the user depends on the effectiveness and durability of the equipment. The inspection by a specialist must be documented on the control card supplied. For a copying template of the control card, see page 14.

## 6. Application/certifications

### 6.1. Application

The attachment point "SLOOPE" serves as anchor point for personal safety for 2 persons in the following fall protection systems according to EN 363:2008:

- restraining systems
- fall-arrest systems
- rescue systems

### 6.2. Certifications

GREEN "SLOOPE" has been tested and certified as an attachment point according to EN 795:2012 Type A and CEN/TS 16415 Type A.

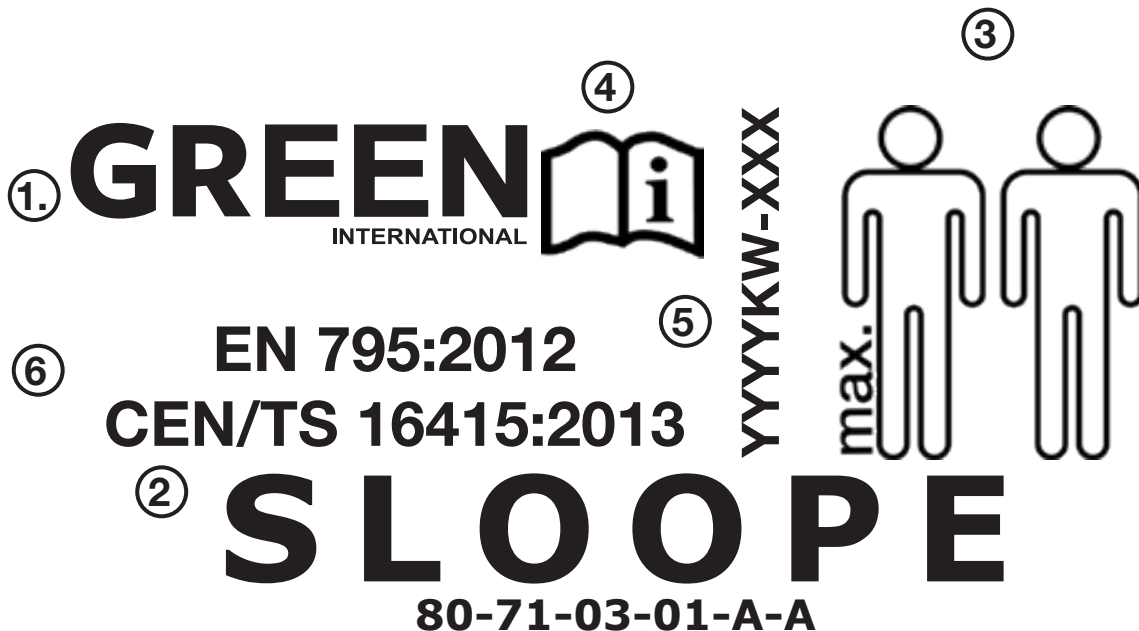
The test was performed statically and dynamically on the original subsurface.

### 6.3. Delivery point of the anchorage system

TÜV Austria Services GmbH,  
Deutschstraße 10  
A-1230 Wien / Österreich, CE 0408

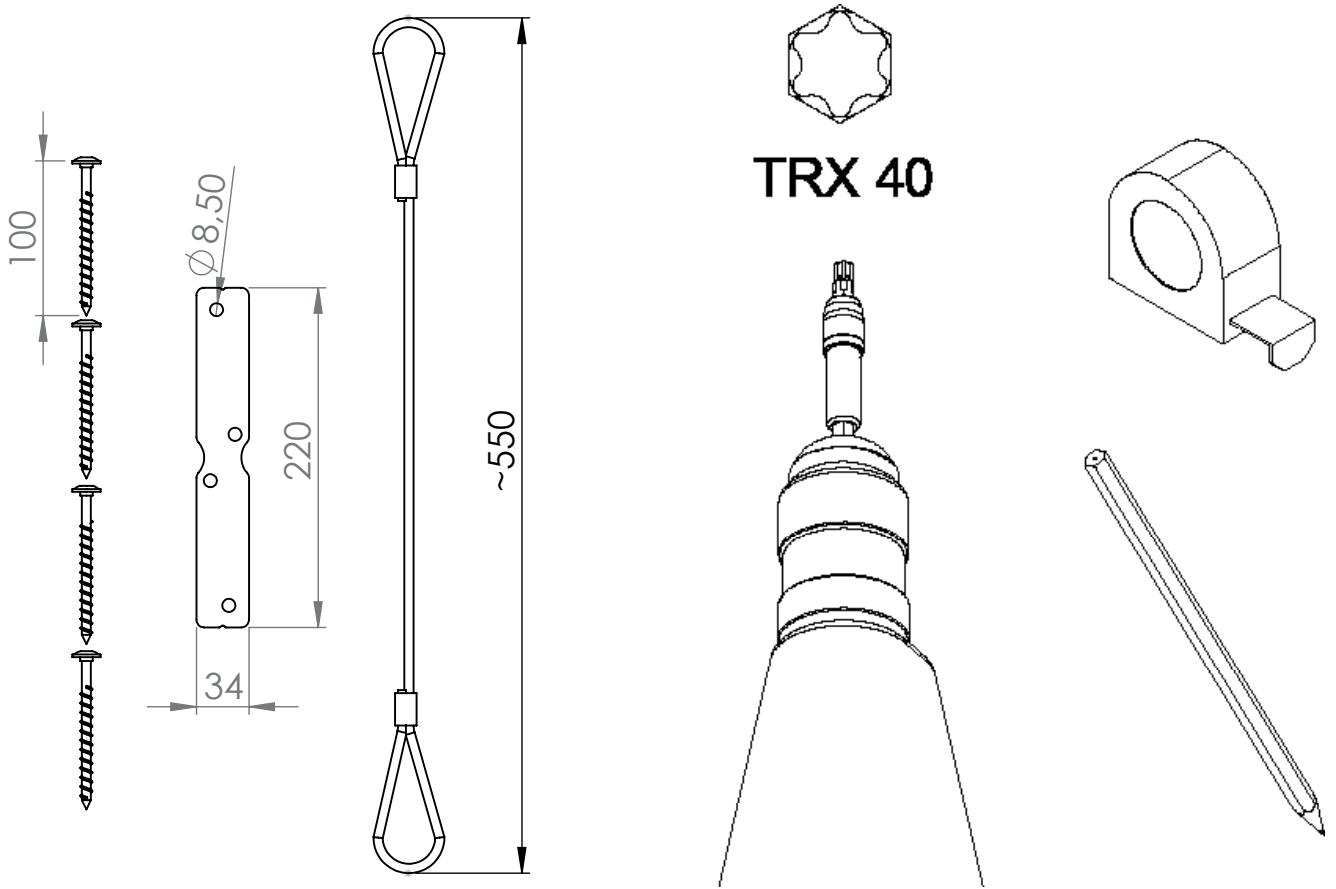
### 6.4. Signs and markings

1. Manufacturer
2. Product name
3. Max. number of persons
4. Read product description
5. Production date / charge number
6. Standard

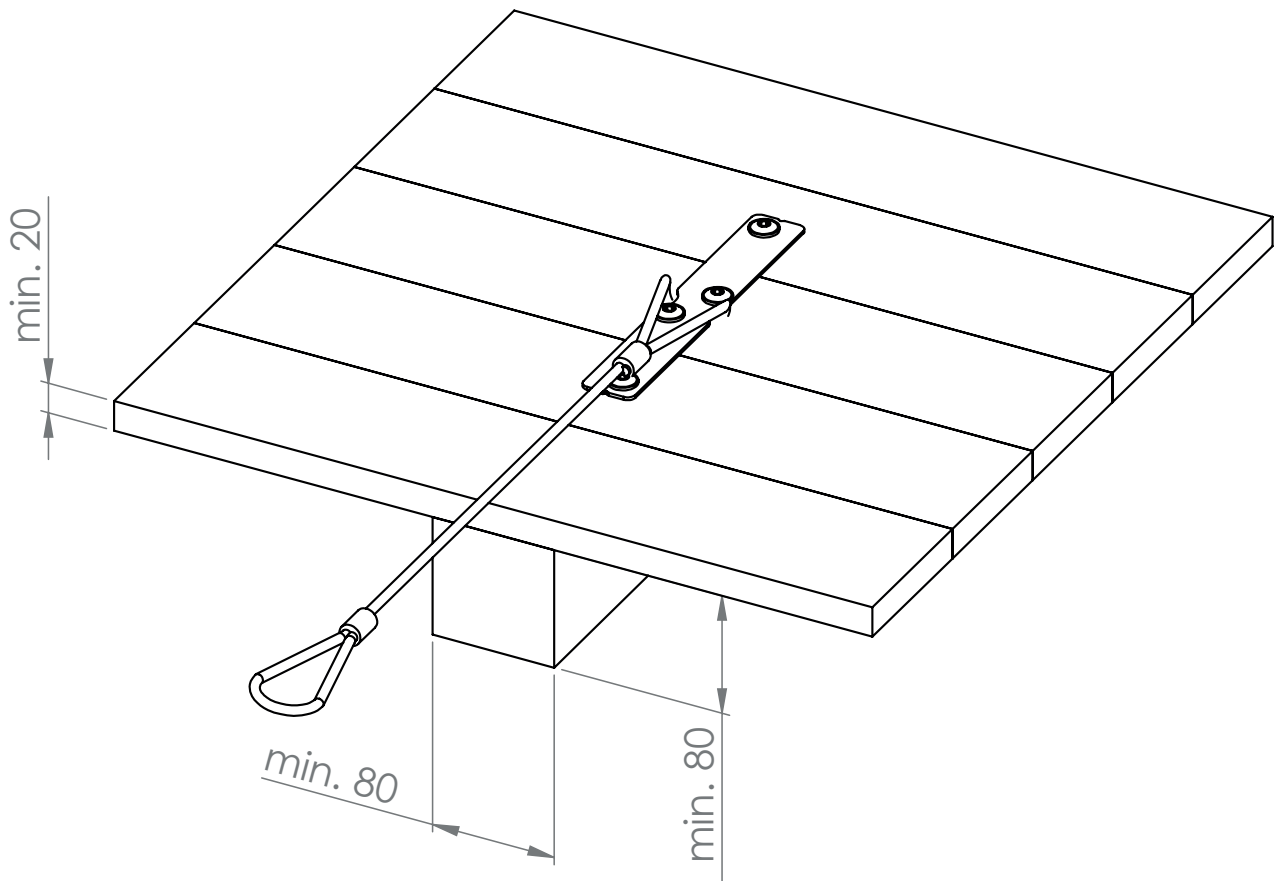


## 7. General information on installation

### 7.1. Set & Tools

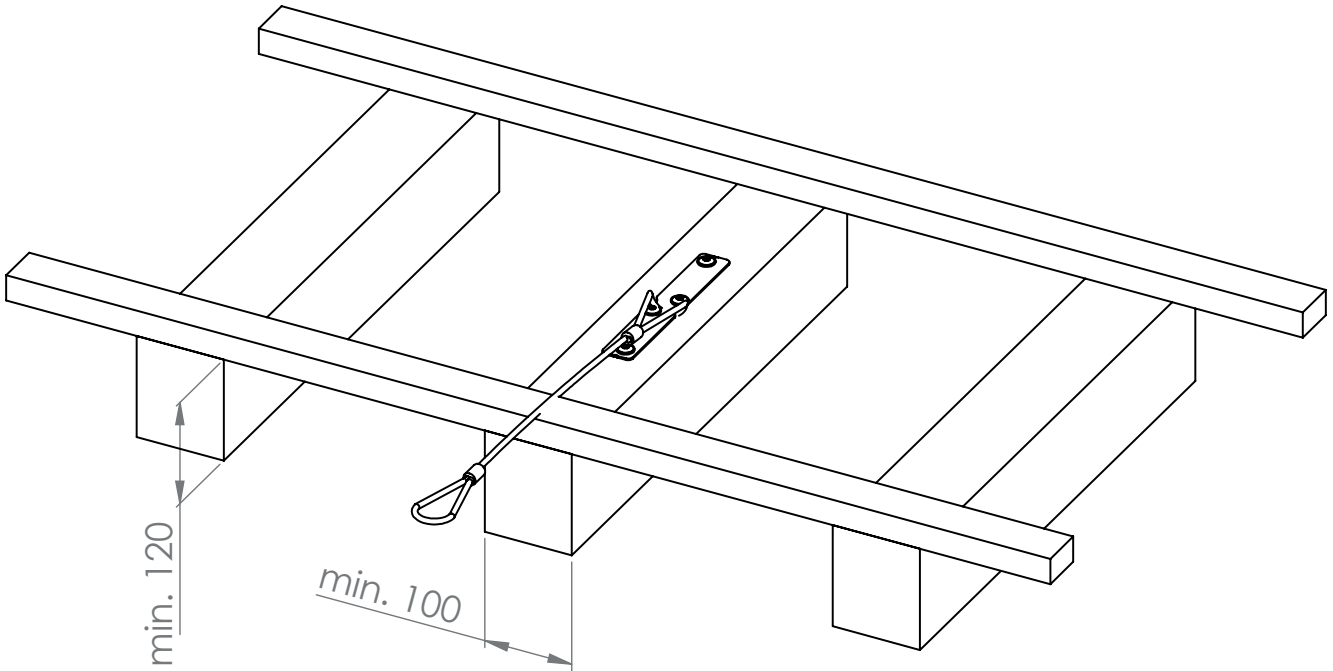


### 7.2. Roof assembly 1



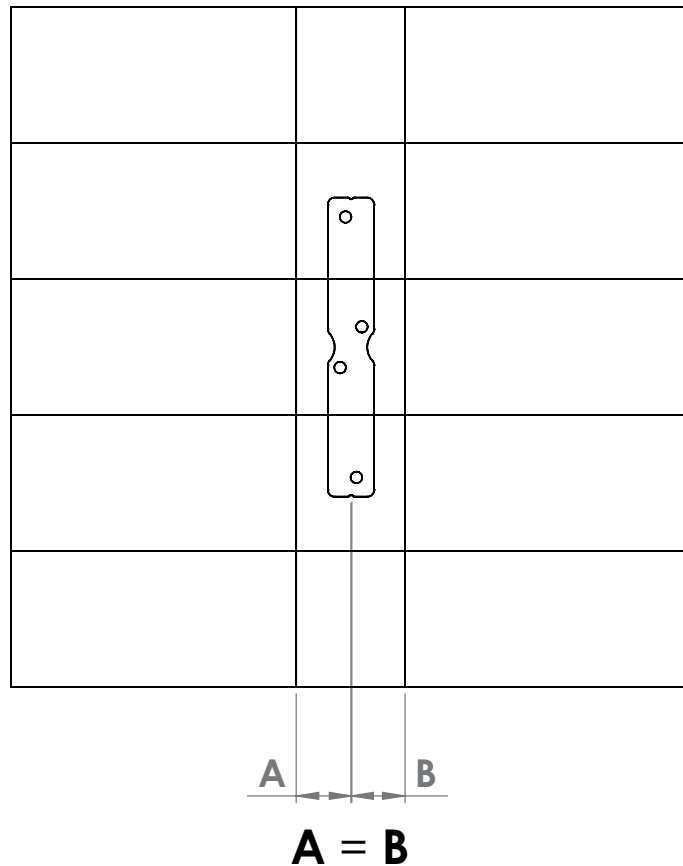


### 7.3. Roof assembly 2

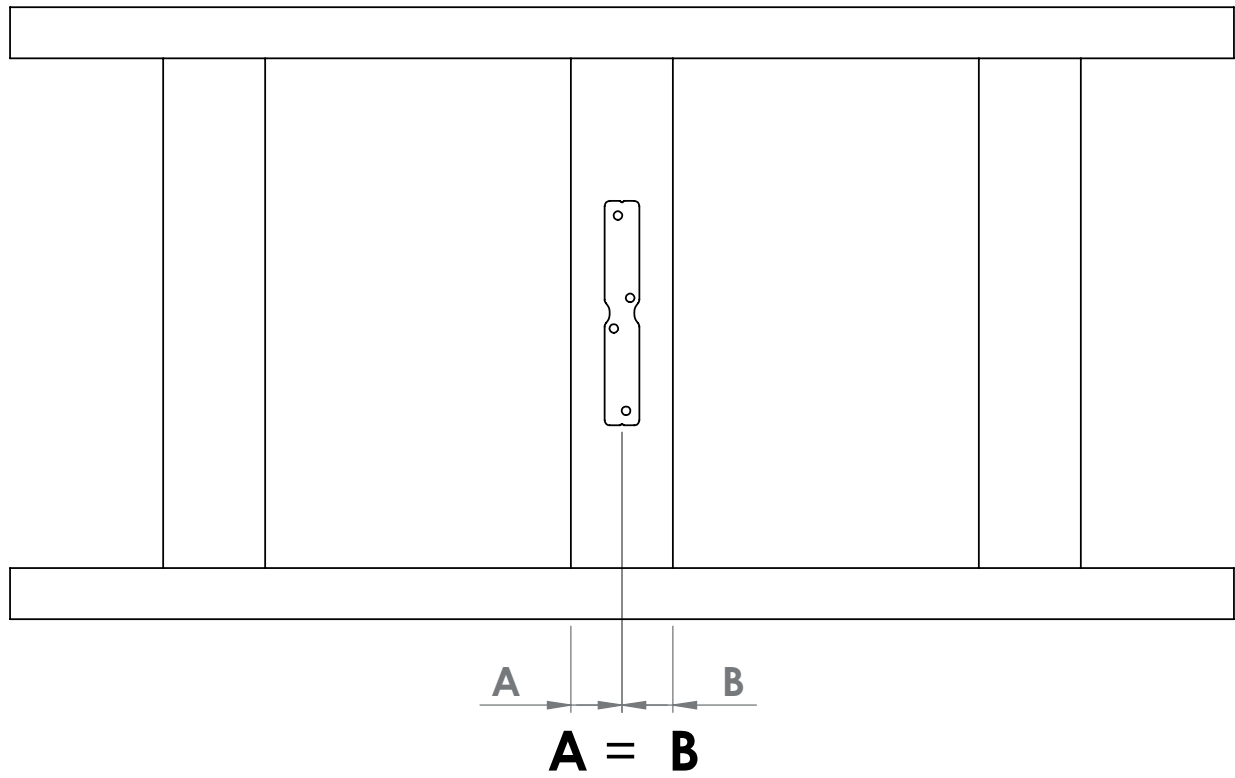


## 8. Installation instructions:

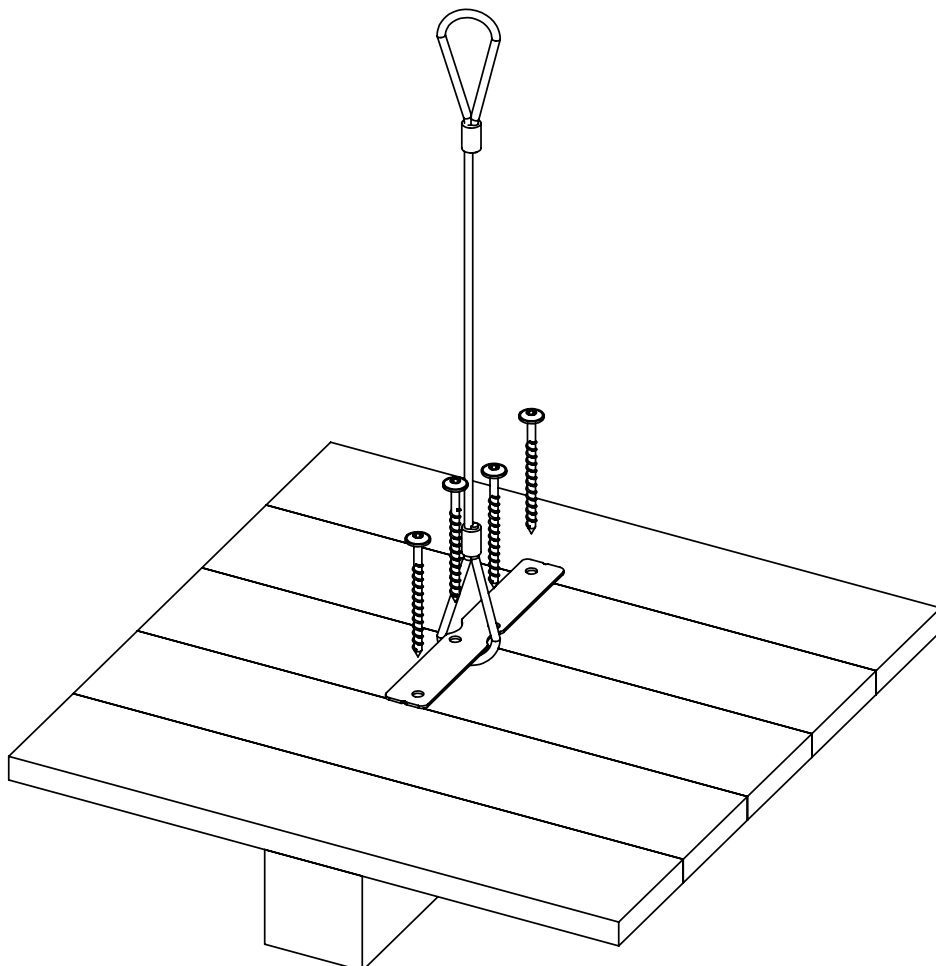
### 8.1. Position 1



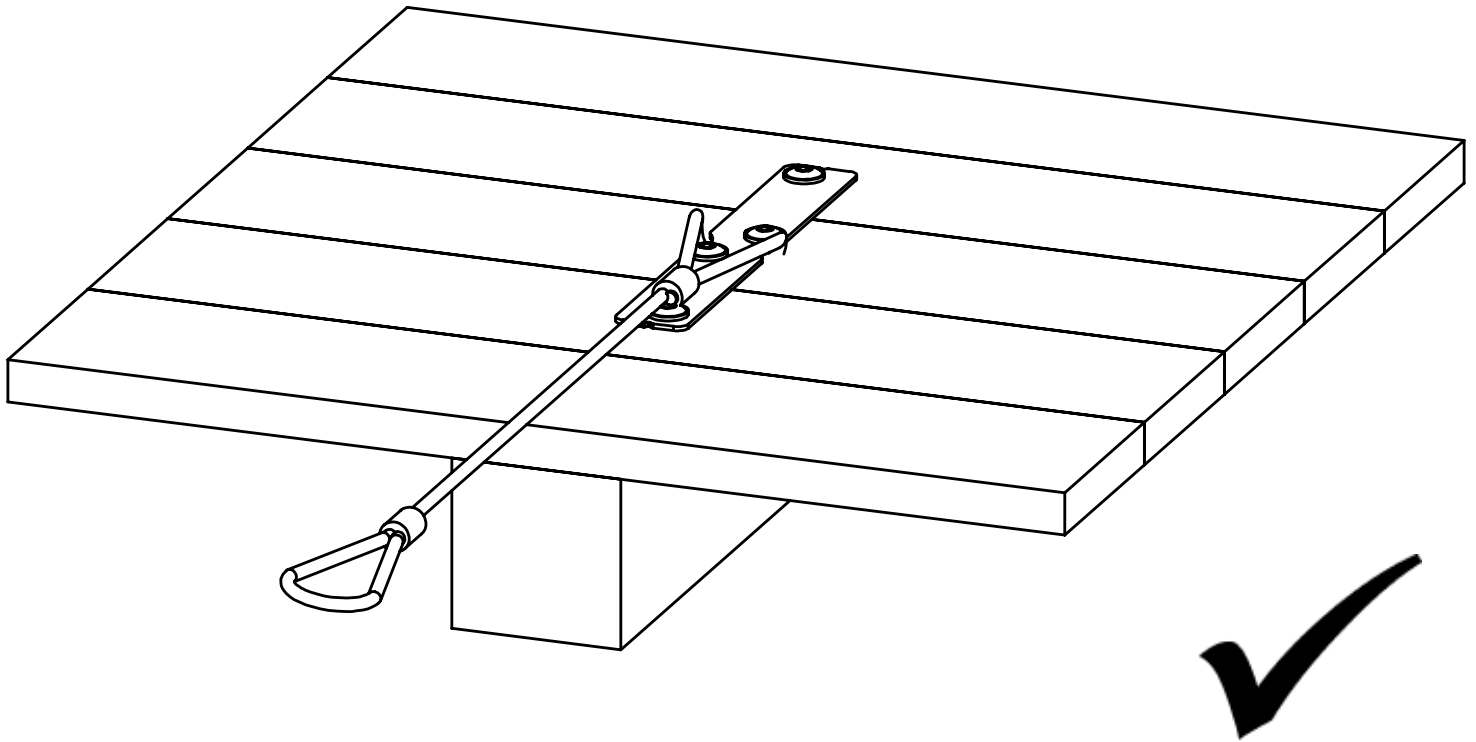
## 8.2. Position 2



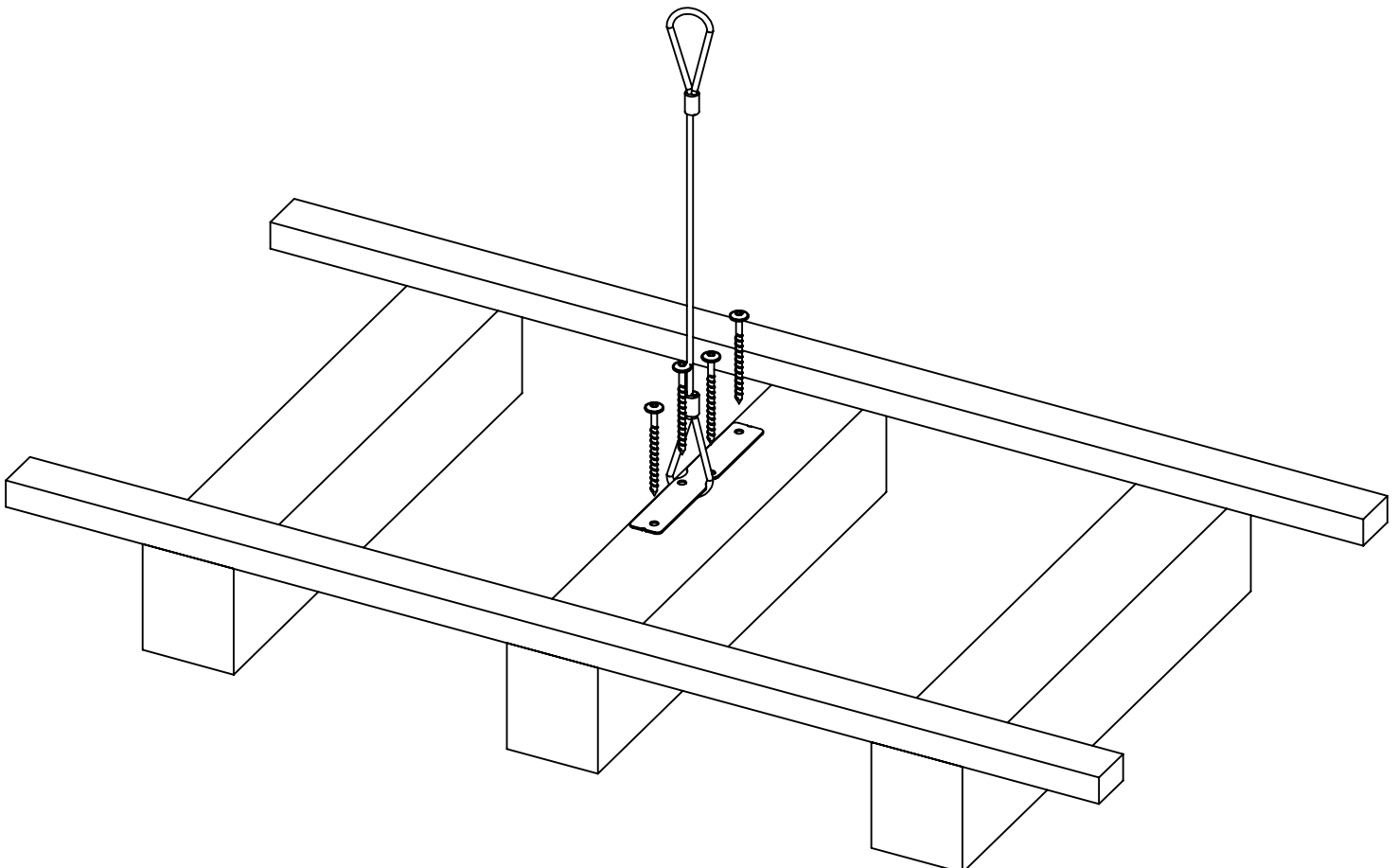
## 8.3. Installation 1



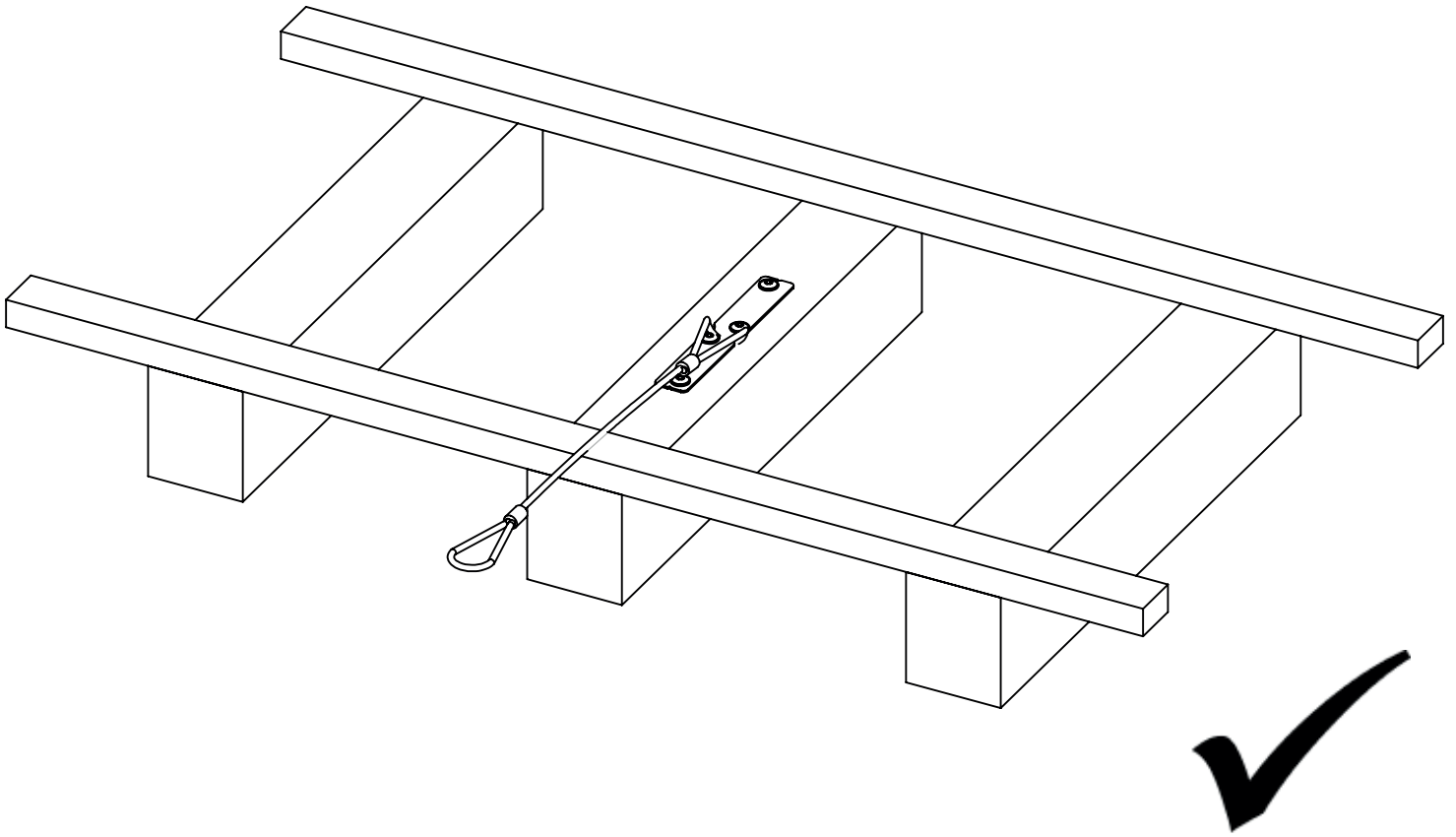
### 8.4. Installation 2



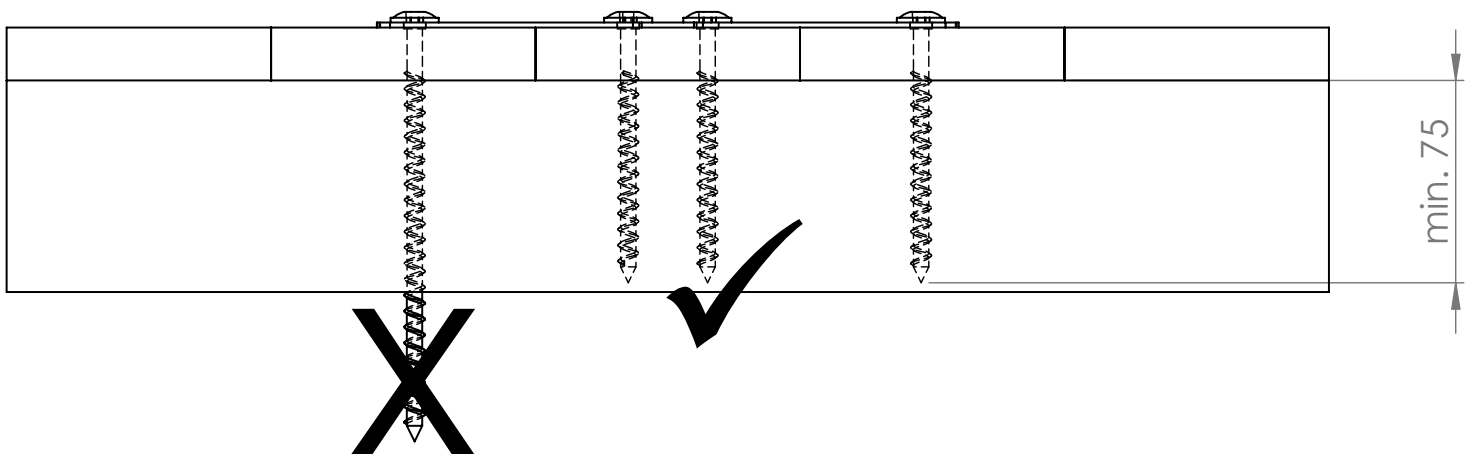
### 8.5. Installation 3



### 8.6. Installation 4

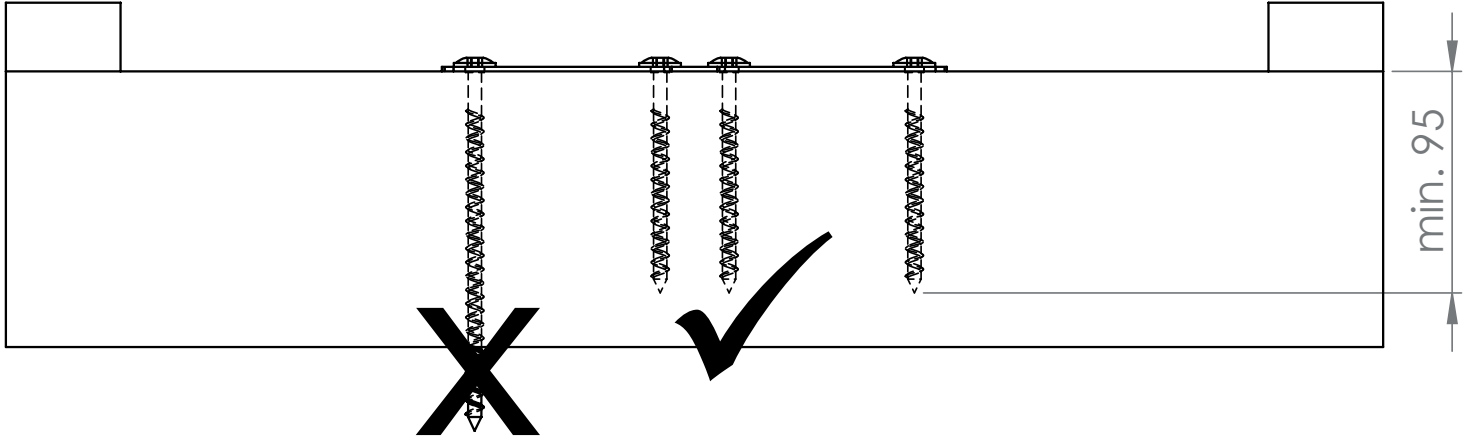


### 8.7. Installation 5

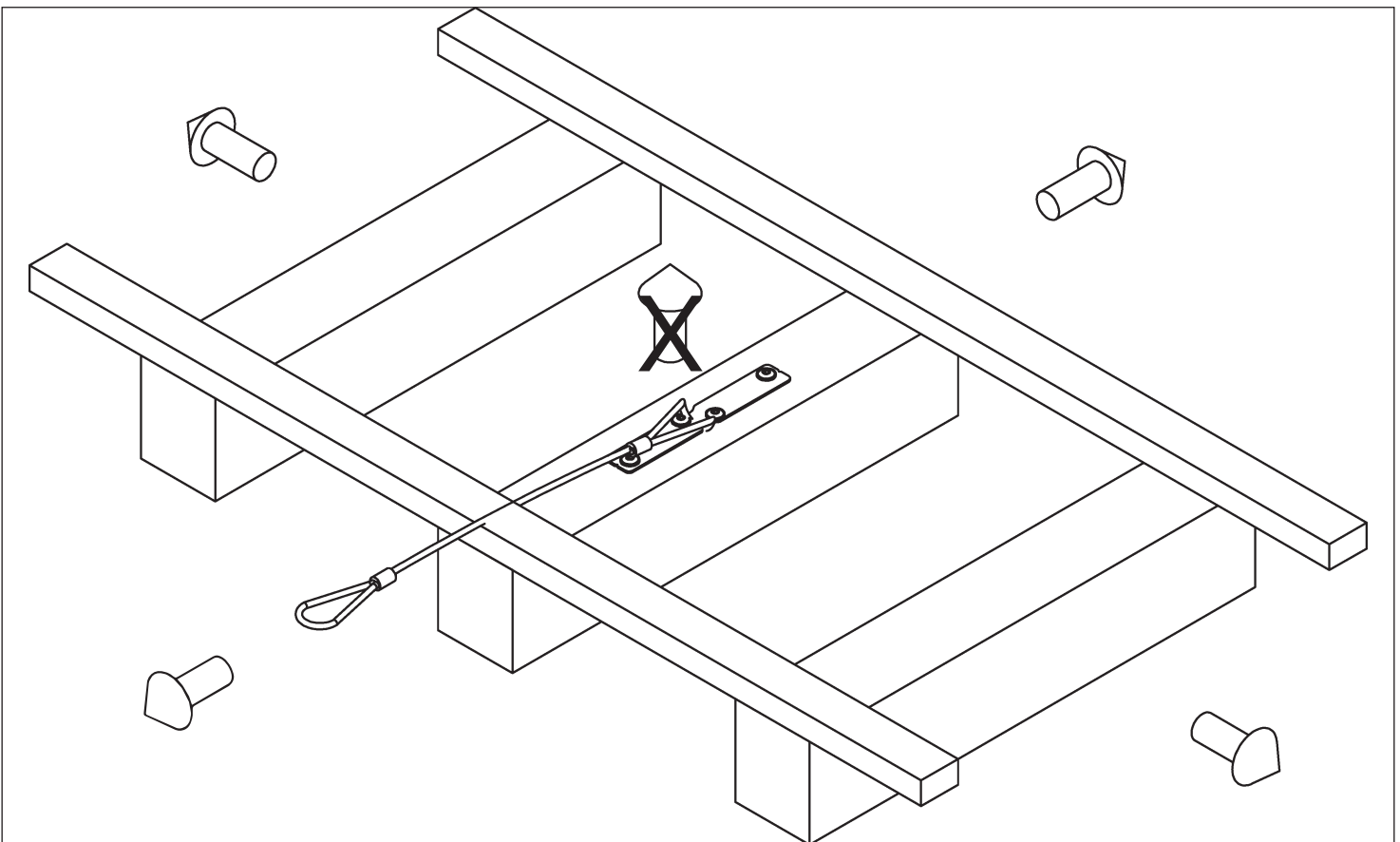


© Green International GmbH. No liability for errors and printing errors. We reserve the right to make technical changes.

## 8.8. Installation 6



## 9. Load directions



## 10. Installation protocol

**BV/Object:** \_\_\_\_\_ **Location of the device:** \_\_\_\_\_  
Street, house number

**Product:** \_\_\_\_\_ ZIP / City

<b>Client:</b>	<b>Contractor:</b>	<b>Installation firm:</b>
_____	_____	_____

Company name / surname, first name

<small>Street, house number</small>	<small>Street, house number</small>	<small>Street, house number</small>
-------------------------------------	-------------------------------------	-------------------------------------

<small>ZIP / City</small>	<small>ZIP / City</small>	<small>ZIP / City</small>
---------------------------	---------------------------	---------------------------

<small>Tel. (office, mobile)</small>	<small>Tel. (office, mobile)</small>	<small>Tel. (office, mobile)</small>
--------------------------------------	--------------------------------------	--------------------------------------

Installation protocol					
Date	Location	Mounting subsurface	Fastening material <small>(dowels, bolts, etc.)</small>		Tightening torque

The undersigned installation company assures the proper processing of the dowel according to the manufacturer's guidelines. (Proper cleaning of bores, compliance with curing times and processing temperature, edge spacing of the dowels, inspection of the mounting surface, etc.)

Photo documentation		
Date	Location	Photos/File name

- Client: the client accepts the services of the contractor.
- The assembly and use instructions, fastening protocols, and photo documentation have been handed over to the client (building owner) and are to be made available to the user. When accessing the safety system, the positions of the anchorage devices are to be documented by the building owner on plans (e.g. a sketch of the roof-top view).
- An expert fitter familiar with the safety system confirms that the installation work has been carried out professionally, in accordance with the current technology levels and in accordance with the manufacturer's assembly and use instructions. The safety-technical reliability is confirmed by the installation company.

**Remarks:** \_\_\_\_\_  
 \_\_\_\_\_  
 \_\_\_\_\_

<small>Place and date</small>	<small>Signature of the Client</small>	<small>Signature of Contractor / Installer</small>
-------------------------------	--	--

© Green International GmbH. No liability for errors and printing errors. We reserve the right to make technical changes.

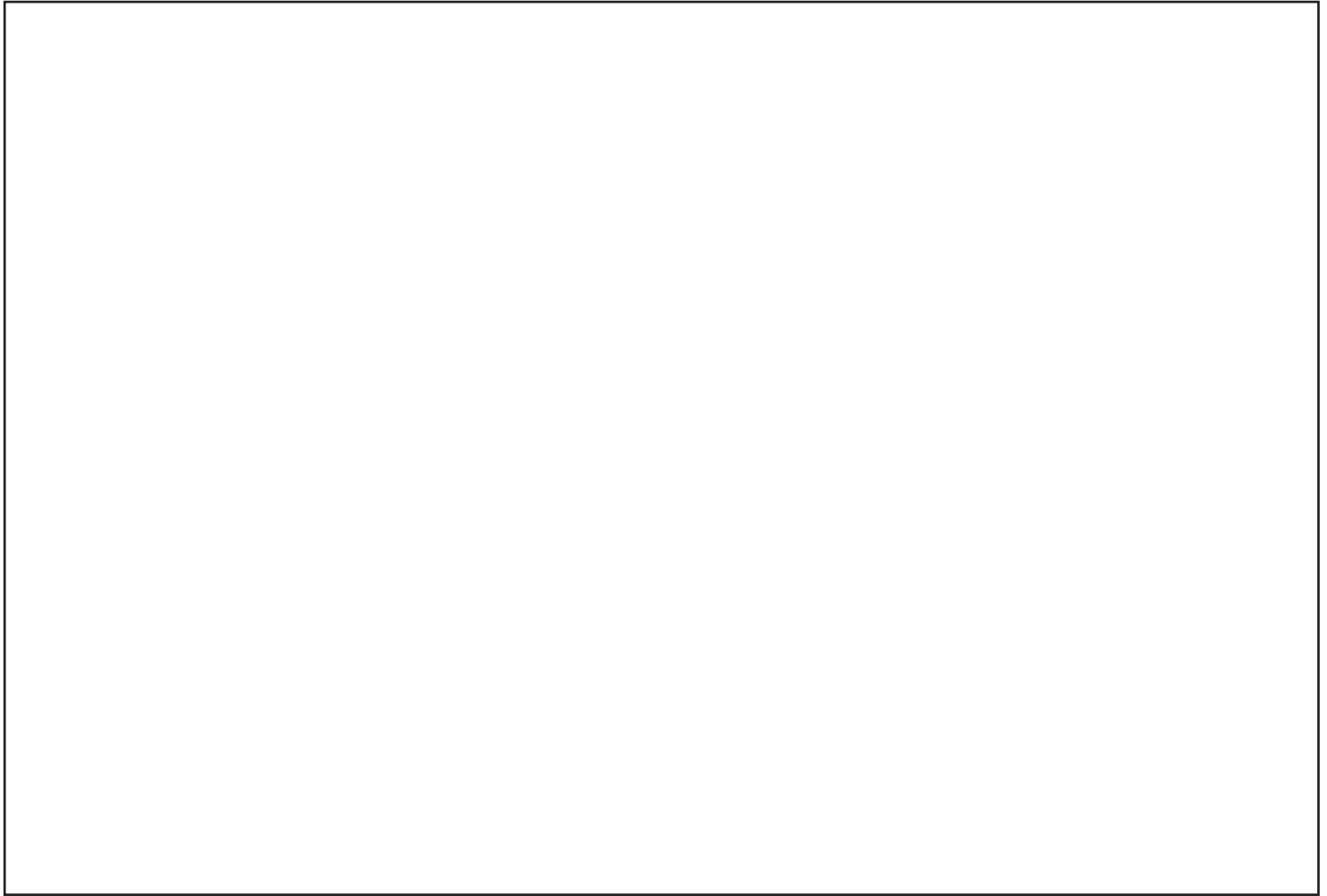
## 11. Notes on the existing roof safety system

During roof access (system access), this notice by the owner shall be displayed in a clearly visible way:

The device must be used strictly in accordance with the instructions for assembly and use.

Depository of the assembly and use instructions, test records, etc. is:

- Schematic plan with the location of the anchorage devices:



- Manufacturer and system description: GREEN single attachment point "SLOOPE"
- Date of the last check: \_\_\_\_\_
- Maximum number of persons to be secured: 2 persons
- Necessity of fall absorbers: yes

- The required minimum clearance below the fall edge to the ground is calculated from:

Deformation & displacement (max. 1 m) of the anchorage device in case of load

- + manufacturer's information on personal protective equipment used, including rope displacement.
- + body height
- + 1 m safety distance

## 12. Control card

Activities undertaken	Declarant Defects		Date	Company/ Name/ Specialist	Description of defects/ Measures	Date of next regular in- spection
	Yes	No				
<p><b>System check</b></p> <ul style="list-style-type: none"> <li>• No deformation of the individual parts detectable</li> <li>• all screws and connections tightened</li> <li>• Substructure works reliably</li> </ul> <p>Visual inspection of the attachment points and accessories (fasteners, etc.) by an authorised expert.</p>						

In the event of stress due to a fall or in case of doubt, the anchorage device must be immediately removed from use and sent to the manufacturer or a specialist workshop for inspection and repair. This also applies if the slinging material is damaged.

**The document must be filled in by the person responsible and kept in a safe place together with the instructions for use (e.g. property management).**

**When accessing the roof safety system, the positions of the anchorage devices are to be documented by plans (e.g. a sketch of the roof-top view)!**



---

## 13. Notes

---

---

## 14. Notes

---

---

## 15. Notes

---



**GREEN International Absturzsicherungs GmbH**

Fabriksplatz 1/10, 4662 Steyrermühl

Tel.: +43 7613 32498-0

Fax: +43 7613 32498-16

[office@green-gmbh.at](mailto:office@green-gmbh.at)

[www.green-international.at](http://www.green-international.at)