

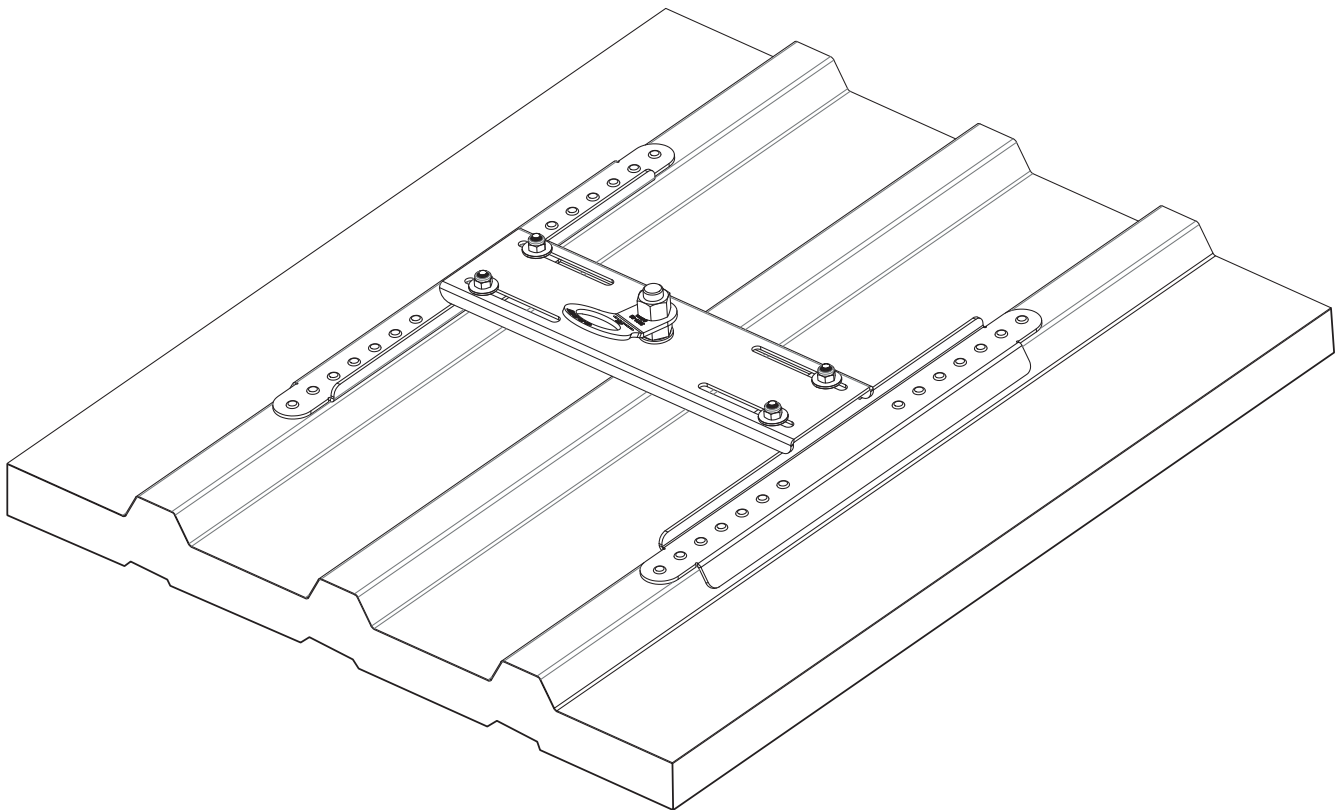


Assembly and use instructions
Read the product description carefully



GREEN

INTERNATIONAL



GREEN FIX

EN 795 A/C

ENGLISH

V-20.01.20

DE ACHTUNG

Die Montage und die Verwendung der Sicherungseinrichtung ist erst zulässig, nachdem der Monteur und der Anwender die Original Aufbau- und Verwendungsanleitung in der jeweiligen Landessprache gelesen hat.

EN ATTENTION

Assembling and using of the safety product is only allowed after the assembler and user read the original installation and application instruction in his national language.

FR ATTENTION

Le montage et l'utilisation du dispositif de sécurité ne sont autorisés qu'après lecture par le monteur et par l'utilisateur de la notice d'origine de montage et d'utilisation dans la langue du pays concerné.

IT ATTENZIONE

Il montaggio e l'uso del dispositivo di sicurezza è ammesso soltanto dopo che il montatore e l'utente hanno letto le istruzioni per l'installazione e l'uso nella rispettiva lingua nazionale.

ES ATENCIÓN

No está permitido montar ni usar el dispositivo de protección antes de que el montador y el usuario hayan leído las instrucciones de montaje y uso originales en la lengua del respectivo país.

PT ATENÇÃO

A montagem e o emprego do mecanismo de proteção somente serão permitidos, após o montador e o usuário terem lido as instruções de uso originais, no respectivo idioma do país, sobre a montagem e o emprego do mesmo.

NL ATTENTIE

De montage en het gebruik van de veiligheidsinrichting is pas toegestaan, nadat de monteur en de gebruiker de originele montage en gebruikershandleiding in de desbetreffende taal gelezen hebben.

HU FIGYELEM

A biztonsági berendezés felszerelése és használata csak az után megengedett, miután a szerelést végző és a használó személyek a nemzeti nyelvükre lefordított, eredeti használati utasítást elolvasták és megértették.

SL POZOR

Montaža in uporaba varnostnih naprav je dovoljena šele takrat, ko sta monter in uporabnik prebrala originalna navodila za montažo in uporabo v konkretnem jeziku.

CZ POZOR

Montáž a používání zabezpečovacího zařízení jsou povoleny až poté, co si pracovníci provádějící montáž a uživatelé přečetli v příslušném jazyce originální návod k montáži a používání.

TR DİKKAT

Güvenlik tertibatının montajına ve kullanımına, ancak montaj teknisyeni ve kullanıcı, orijinal kurulum ve kullanma talimatını kendi ülke dilinde okuduktan sonra, izin verilir.

NO OBS

Monteringen og anvendelsen av sikkerhetsinnretningene er gyldige først etter at montøren og brukeren har lest den originale oppbygnings- og bruksanvisningen i det tilsvarende landets språk.

SV OBS

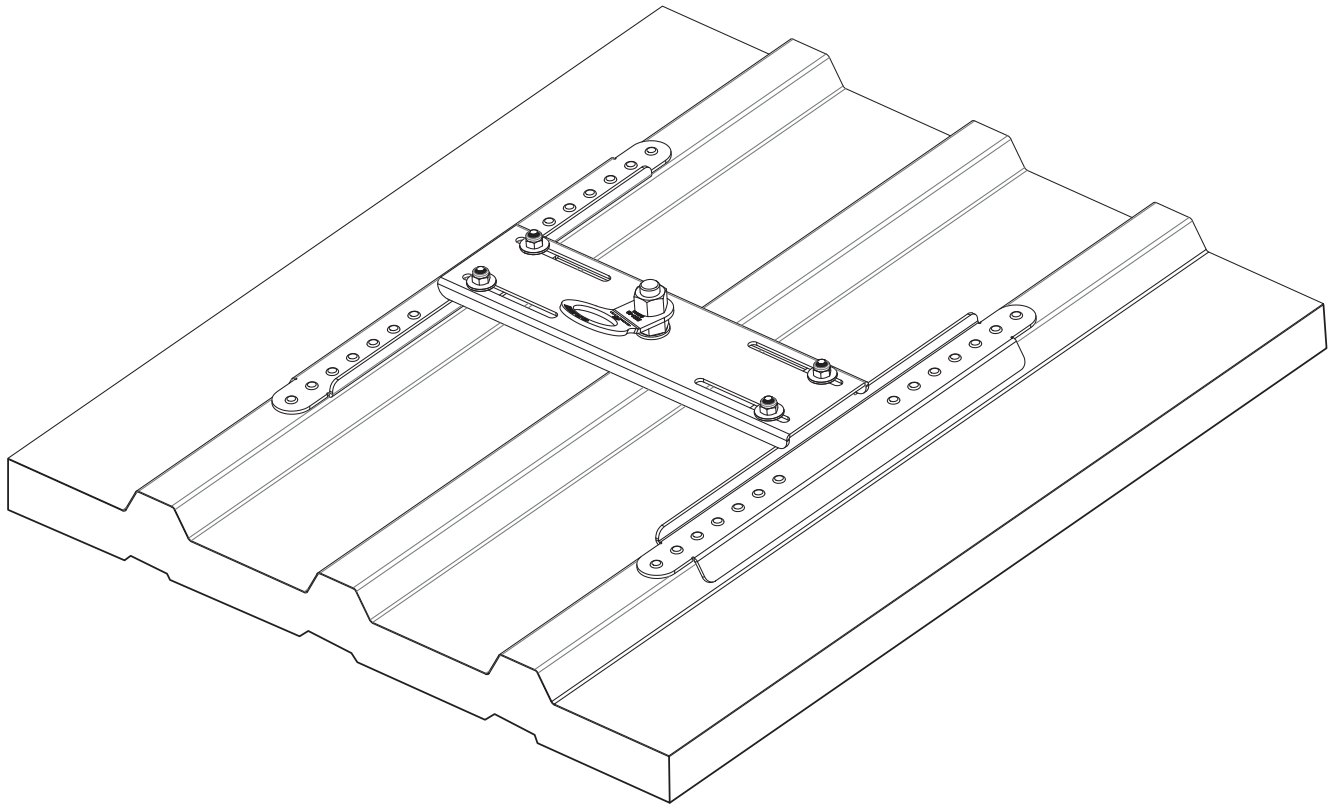
Säkerhetsanordningen får inte monteras och användas förrän montören och användaren har läst igenom konstruktionsbeskrivningen och bruksanvisningen i original på resp lands språk.

FI HUOMIO

Turvalaitteiden asennus ja käyttö on sallittu vasta, kun asentaja ja käyttäjä ovat lukeneet alkuperäisen asennus- ja käyttöohjeen omalla kielellään.

DA GIV AGT

Montagen og brugen af sikkerhedsudstyret er først tilladt, efter at montøren og brugeren har læst den originale vejledning i samling og brug på det pågældende lands sprog.



PROJECT DATA

SYSTEM DESCRIPTION

ASSEMBLY COMPANY

© Green International GmbH. No liability for errors and printing errors. We reserve the right to make technical changes.

Table of Contents

1. General safety instructions	5
2. Technical data	6
2.1. Standards / approvals of the anchorage system	6
3. Mounting on sandwich panel / trapezoidal deck shell - sheet steel 0.48 mm	6
4. Assembly rope system components	10
5. General notes	11
5.1. Personal Protective Equipment	11
5.2. Using the system	11
5.3. Note the planning fundamentals	11
5.4. Maintenance / inspections	11
6. Notified delivery point of the anchorage device	11
7. Fastening element „Green Fix“	12
8. Assembly protocol	13
9. Control card	14
10. Notes	15

1. General safety instructions

- The attachment to the GREEN anchorage device always happens with a carabiner to the anchorage eye and must be done with a harness in accordance with EN 361 and a force-absorbing fall absorber with lanyard (EN 355 and EN 354).
- Attention: For horizontal application, only fasteners suited for this purpose and for the corresponding edge designs (sharp edges, trapezoid sheet, steel beam, concrete, etc.) may be used.
- The combination of individual elements of the equipment referred to can cause risks, because the safe functioning of an element can be impaired. (Note the respective operating instructions!)
- The entire safety system must be checked before use for obvious defects by visual inspection (e.g. loose screw connections, deformations, abrasion, corrosion, defective roof sealing, etc.).
- If there are doubts as to the safety of the security system, it must be inspected by an expert (written documentation).
- The entire safety product must at least once be subjected to an annual inspection by an expert. The inspection by an expert must be documented in writing.
- After a fall event, the further use of the entire system is to be avoided and must be checked by an expert (component parts, fastening to the ground, etc.).
- The GREEN anchorage devices were developed for personal safety and may not be used for other purposes. Never attach undefined loads to the safety systems.
- Do not make any changes to the approved anchorage devices.
- For sloping roofs, roof avalanches (ice, snow) must be prevented by suitable devices to intercept snow.
- If you provide the safety system to external contractors, the instructions for assembly and use are to be provided in writing.
- The anchorage device may only be installed by persons with a proper knowledge of the roof safety system.
- The system may only be installed or used by persons who are familiar with these operating instructions, as well as with the local safety regulations. They must be physically or mentally healthy and trained on PPE (personal protective equipment).
- Health restrictions (cardiac and circulatory problems, medication intake, alcohol) can affect the safety of the user when working at height.
- For mounting / use, the respective accident prevention regulations (e.g.: work on roofs) must be observed.
- There must be a plan covering rescue measures in all possible emergencies.
- Before commencing work, measures must be taken to ensure that no objects can fall down from the workstation. The area under the workstation (footpath, etc.) is to be kept free.
- The installers must ensure that the subfloor is suitable for the attachment of the anchorage device. In case of doubt, a structural engineer must be consulted.
- The anchorage device on the roof is designed for loading in all directions parallel to the mounting surface or perpendicular to the supports.
- If any uncertainties occur during assembly, please contact the manufacturer.
- The sealing of the roofing has to be carried out according to the relevant guidelines.
- The proper fastening of the safety system on the structure must be documented in logs and by photos of the respective installation situation.
- Stainless steel must not come into contact with grinding dust or steel tools. This can lead to corrosion.
- All stainless steel bolts must be greased with a suitable lubricant before assembly.
- The anchorage point should be planned, installed and used so that falling over the edge is not possible with appropriate use of personal protective equipment.
- When accessing the roof securing system, the positions of the anchorage devices (e.g.: sketch of roof top view) are to be documented in design plans.
- The minimum clearance from the falling edge to the ground is calculated as:
- Manufacturer specification of the personal protective equipment to be used, incl. rope deflection
- incl. rope deflection
- + body size
- + 1 m safety margin.
- Attention: snow clearance at the facility require due to snow pressure load!

2. Technical data

Height:	31 mm
Base plate:	470 x 415 mm/adjustment range 250 - 414 mm
Holes:	28 x 5.4 mm
Material:	1.4301

2.1. Standards / approvals of the anchorage system

GREEN FIX has been tested and certified according to EN 795:2012-C + CEN/TS 16415:2013-A/C.

The test was carried out statically and dynamically on the respective original substrate.

GREEN FIX is suitable as a substructure for the attachment of components of a horizontal rope protection system as an end rope anchorage DIN EN 795:2012 type C and as a single anchorage point.

GREEN FIX is not suitable for rope-supported work (EN 795).

Marking of GREEN FIX

- Manufacturer
- Product name
- Standard
- Read the instructions for use
- Year of manufacture

Max. number of persons

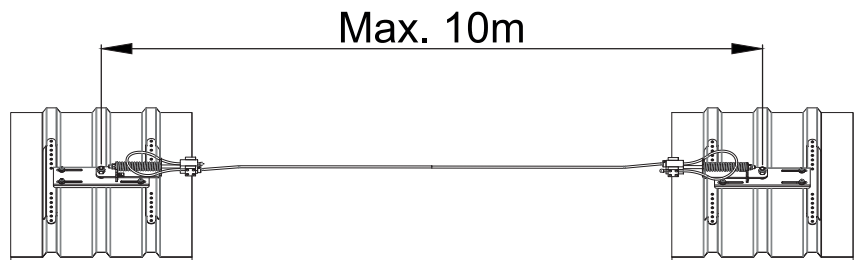
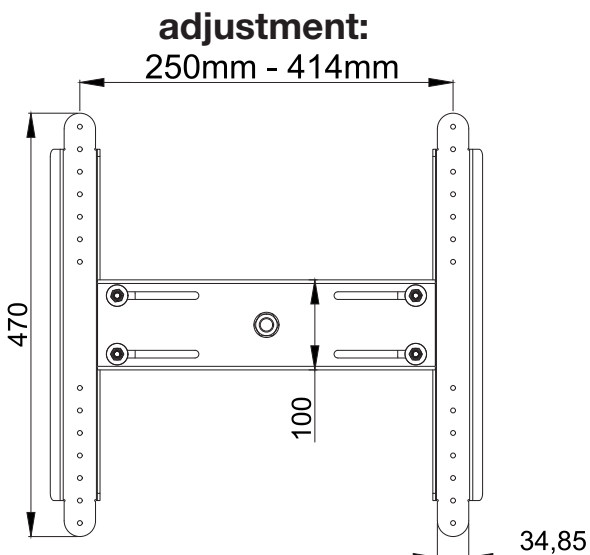


3. Mounting on sandwich panel / trapezoidal deck shell - sheet steel 0.48 mm

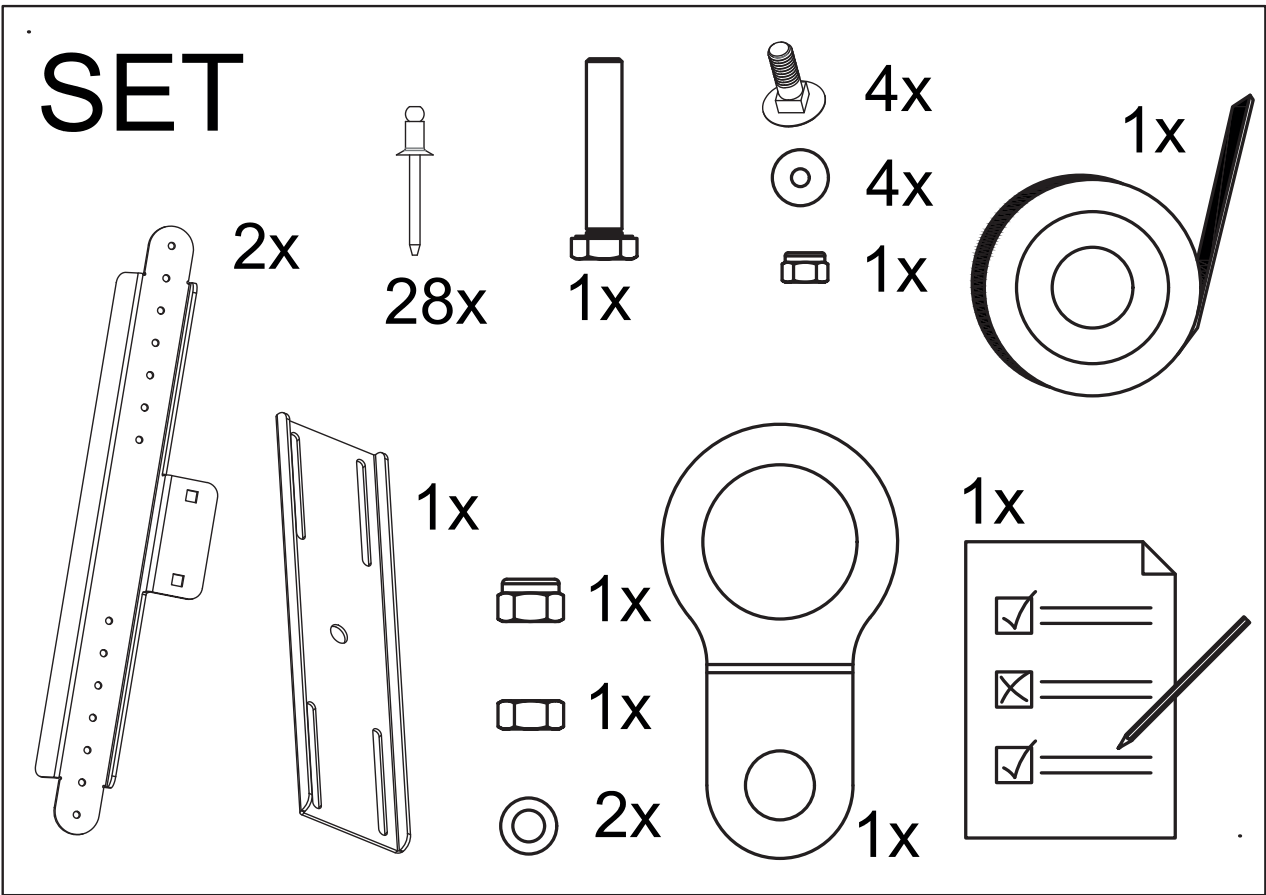
Depending on the type, the mounting points can be attached to various sandwich roof elements or trapezoidal cover shells. Prerequisite for this is a load-bearing substructure of the roof elements and the use of the original supplied fasteners.

In case of doubt, a structural engineer should be consulted.

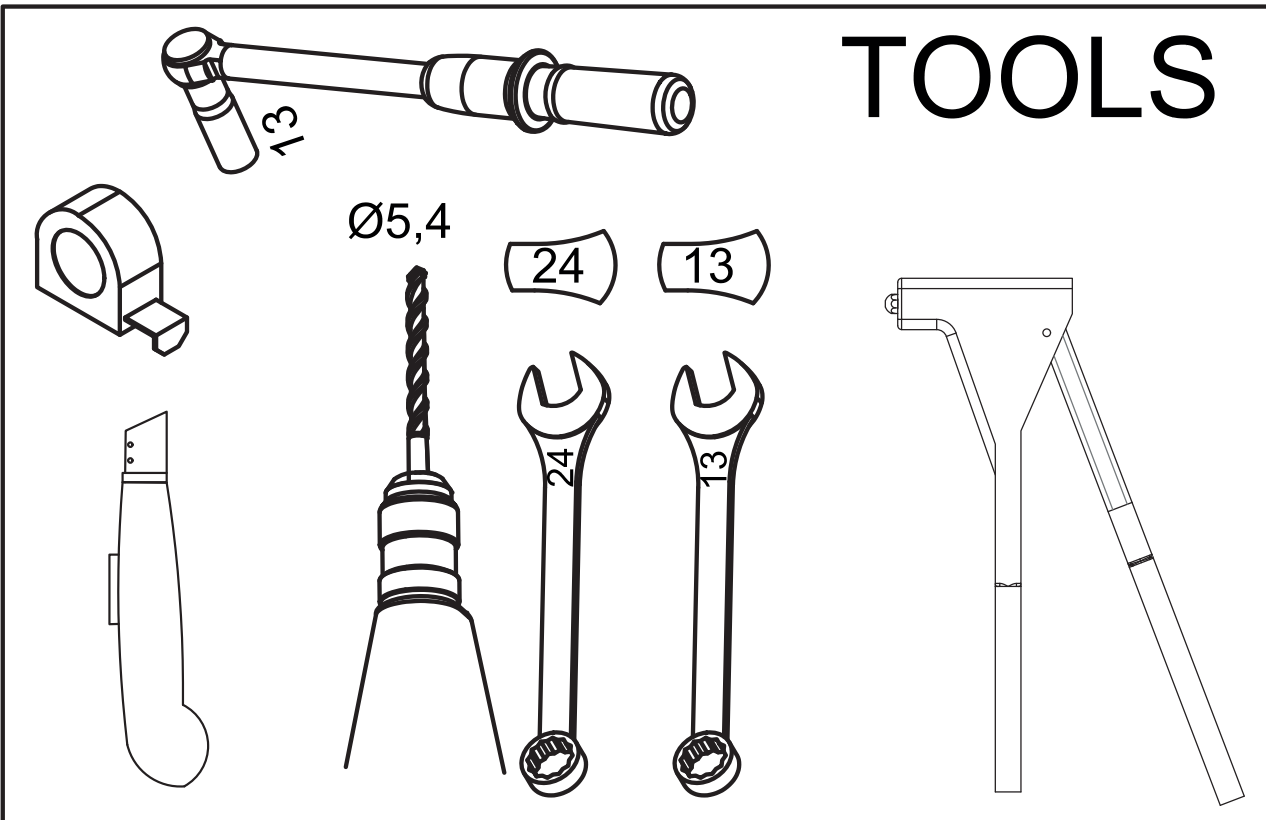
Fixing material:	28 pcs. sealing rivets 5.2 x 19.1
Item number:	69002000
Load-bearing capacity of the anchorage system:	max. 4 users
Substrate:	Sheet steel min. 0.48 mm



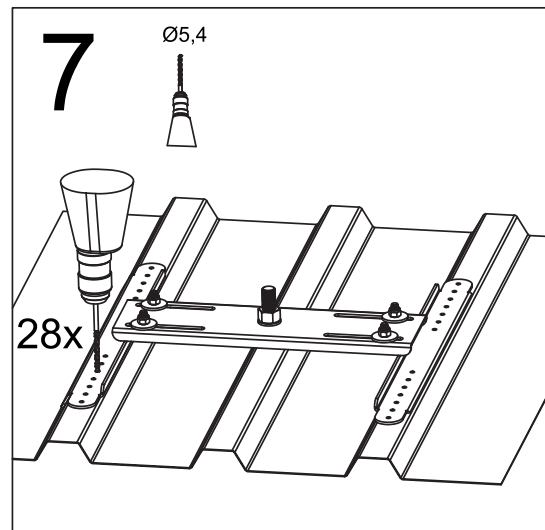
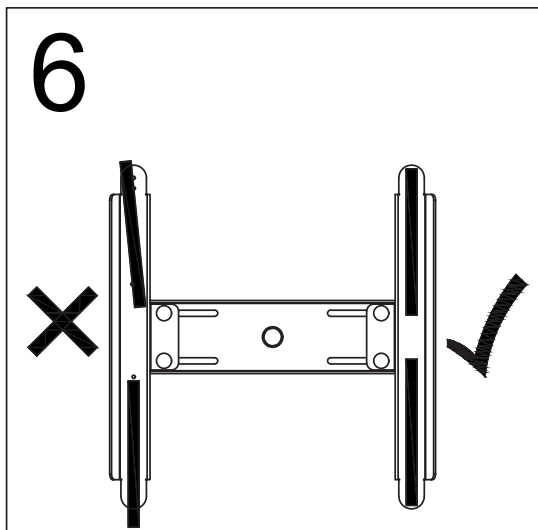
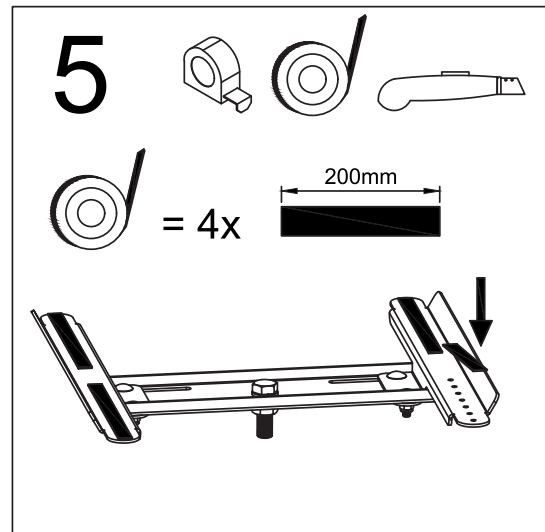
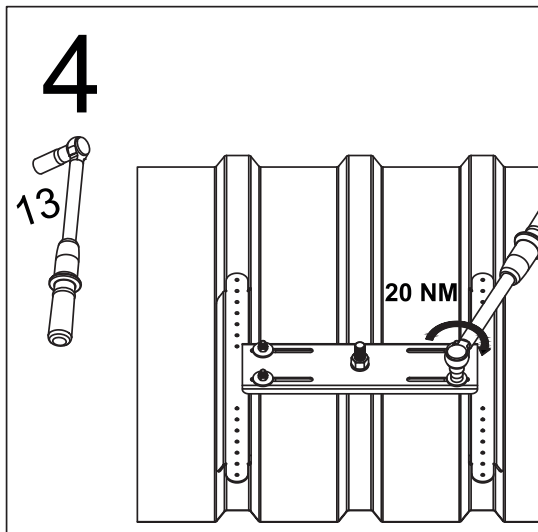
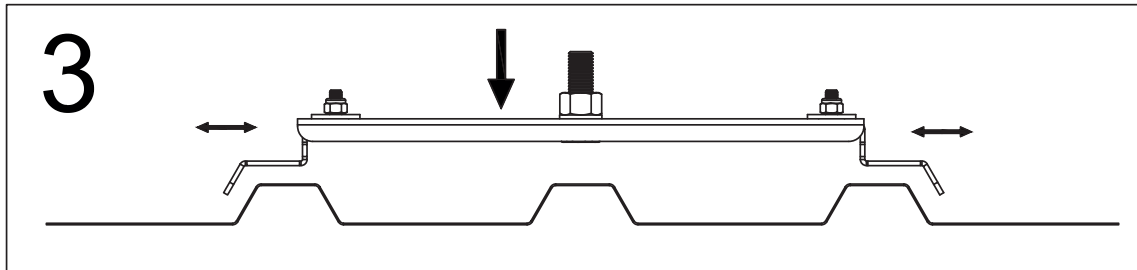
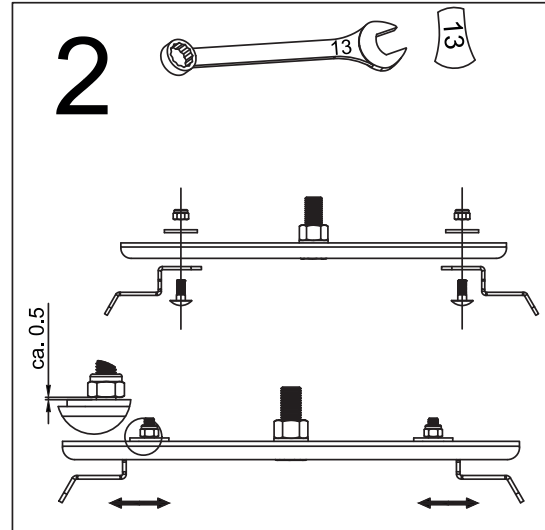
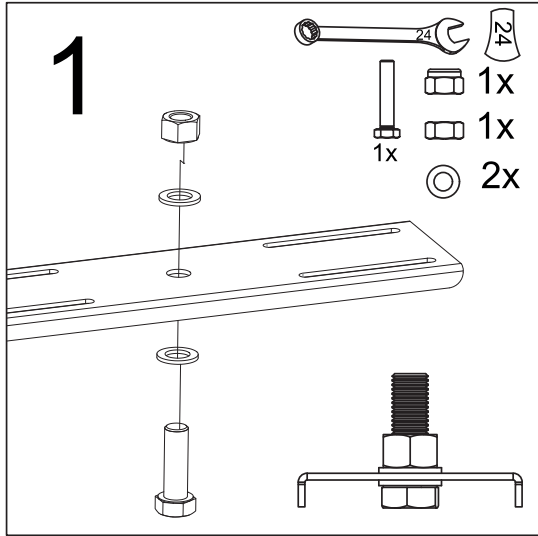
SET



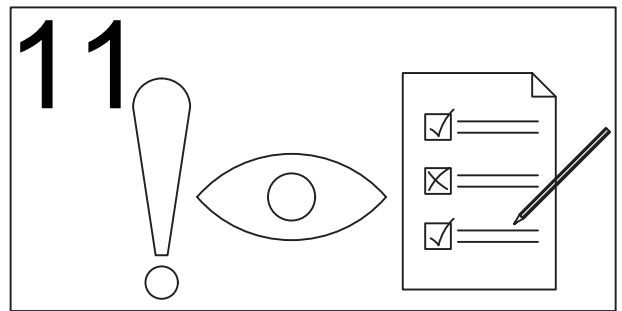
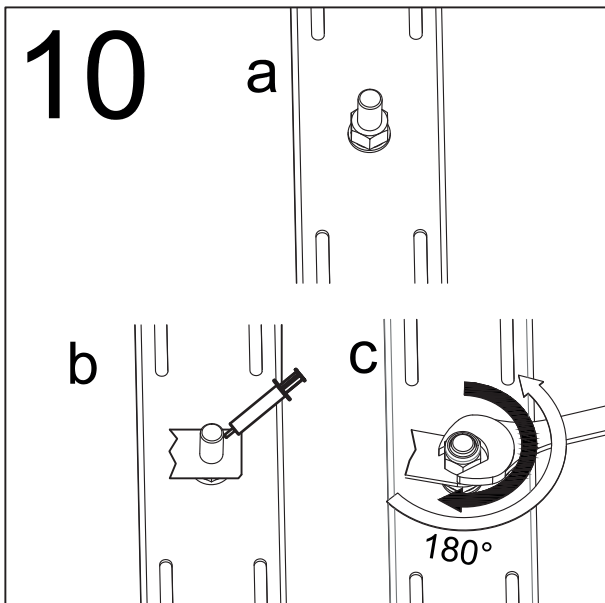
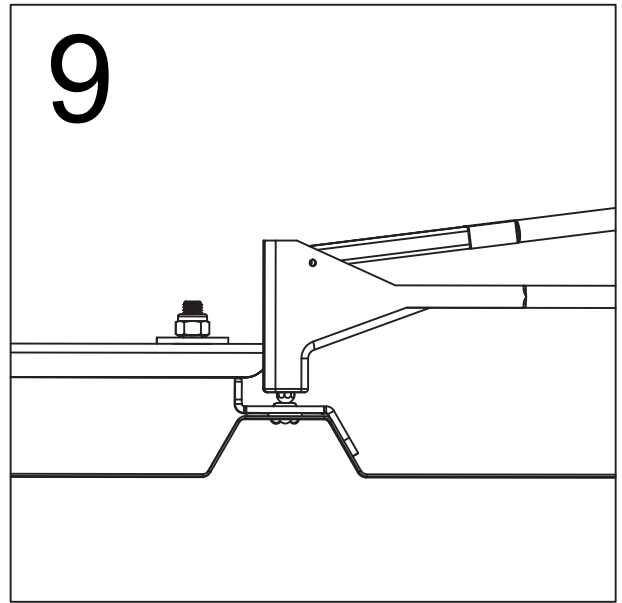
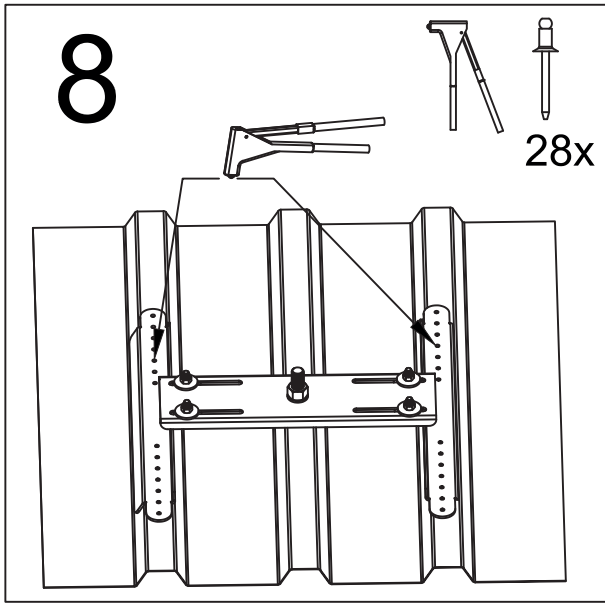
TOOLS



© Green International GmbH. No liability for errors and printing errors. We reserve the right to make technical changes.



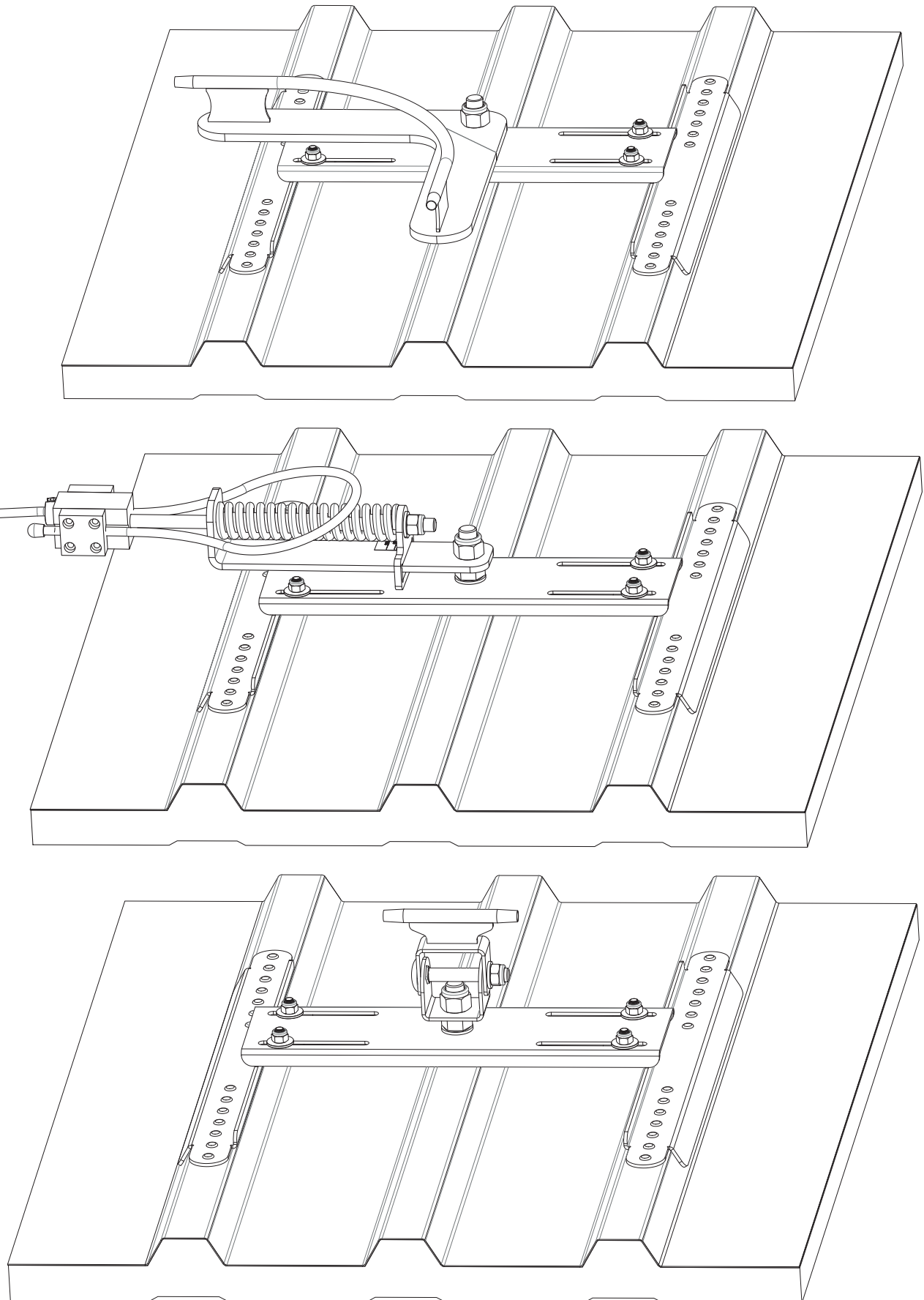
© Green International GmbH. No liability for errors and printing errors. We reserve the right to make technical changes.



© Green International GmbH. No liability for errors and printing errors. We reserve the right to make technical changes.

4. Assembly rope system components

See 3. mounting on sandwich panel/trapezoidal cover shell - sheet steel 0.48 mm



© Green International GmbH. No liability for errors and printing errors. We reserve the right to make technical changes.

5. General notes

5.1. Personal Protective Equipment

Check harnesses, shock absorbers and carabiner hooks before each use for proper condition (damage). Do not use the anchorage device if there are doubts about its safe condition. In such case, the anchorage device must be checked by an expert or the manufacturer immediately and replaced if necessary. (See 8.4) Any anchorage device that experienced a fall case must be taken out of service and replaced by a qualified person or the manufacturer. The instructions for use of other products in conjunction with this product have to be considered.

5.2. Using the system

When using the anchorage device, it must be ensured that the slings are not exposed to fire or other heat sources. This leads to the immediate destruction of the slings. Furthermore, scraping or slipping over sharp edges should be avoided.

Run a visual inspection before using the system. Check the system for signs of damage, breakage, excessive wear or damaged holders.

The anchorage device must not be used if the personal protective equipment (PPE) cannot be fully connected or is damaged (e.g. corrosion, deformation).

5.3. Note the planning fundamentals

When used as a backup while leading, the distance between the anchorage points must be less than the distance from the roof edge.

5.4. Maintenance / inspections

The anchorage point must be subjected to an annual inspection by an expert person authorized by the manufacturer in strict accordance with the manufacturer's instructions. The controls are important since the safety of the user depends on the effectiveness and durability of the equipment.

6. Notified delivery point of the anchorage device



TÜV AUSTRIA SERVICES GMBH
Deutschstraße 10
1230 Wien

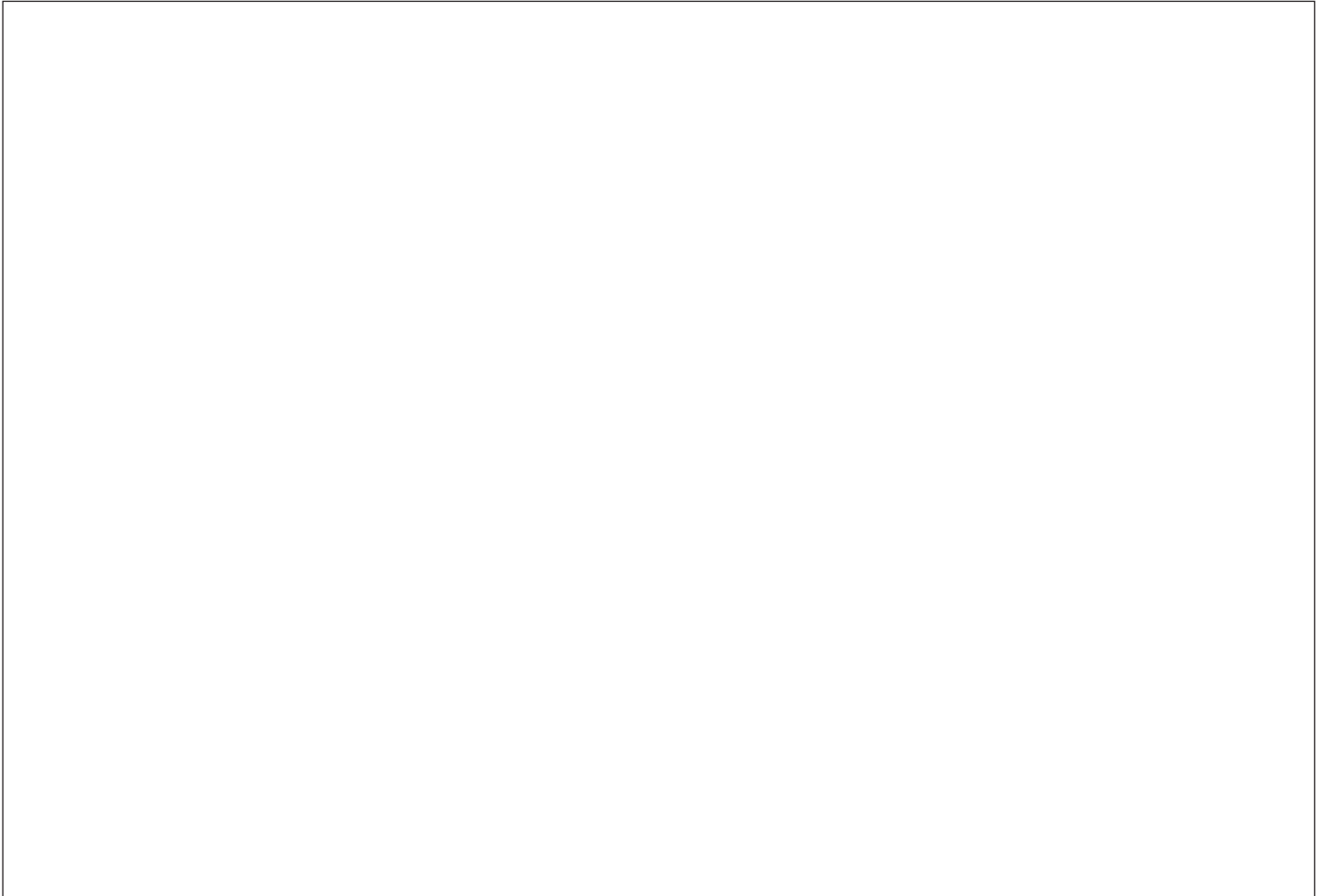
7. Fastening element „Green Fix“

For roof access (system access), this notice by the owner shall be placed and be clearly visible:

NOTES ON THE EXISTING ROOF SAFETY SYSTEM

The use is restricted to adhering to the assembly and use instructions.
The use is restricted to adhering to the assembly and use instructions.

- Overview diagram showing the position of the anchorage devices



- Manufacturer and system name: GREEN Fastener element „Green Fix“
- Date of last audit: _____
- Highest number of persons to be protected: 4 persons
- Need for energy absorbers: _____
- The minimum clearance from the roof edge to the ground is calculated as:
Manufacturer specification of the personal protective equipment to be used,
incl. rope deflection
+ body size
+ 1 m safety margin.

8. Assembly protocol

BV / Object: _____ **Location of the equipment:** _____
Street, house number

Product: _____ Zip code, city

Client:	Contractor:	Installation firm:
_____	_____	_____
<small>Company name / surname, first name</small>	<small>Company name / surname, first name</small>	<small>Company name / surname, first name</small>
_____	_____	_____
<small>Street, house number</small>	<small>Street, house number</small>	<small>Street, house number</small>
_____	_____	_____
<small>Zip code, city</small>	<small>Zip code, city</small>	<small>Zip code, city</small>
_____	_____	_____
<small>Tel. (office, mobile)</small>	<small>Tel. (office, mobile)</small>	<small>Tel. (office, mobile)</small>

Installation protocol					
Date	Location	Anchoring ground	Fastening material <small>(dowels, screws, etc.)</small>		Tightening torque

The undersigned installation firm assures the proper processing of the dowel according to the manufacturer's guidelines. (Proper cleaning of bores, compliance with curing and processing temperature, edge distances of the dowels, inspection of the ground, etc.)

Photo documentation		
Date	Location	Photos / File Name

- The client approves the performance of the contractor.
- The assembly and use instructions, installation protocols and photo documentation were made available to the client (building owner) and have to be made available to the user. When accessing the safety system, the positions of the anchorage-devices (e.g.: sketch of roof top view) are to be documented by the building owner in design plans.
- The expert confirmed with mechanic responsible for the safety system that the installation work has been performed properly, according to the current state of technology and according to the assembly and use instructions of the manufacturer. The safety technology reliability is confirmed by the installation firm.

Remarks: _____

Place, date

Signature of client

Signature of contractor / installer

9. Control card

Activities carried out	Deficiencies found		Date	Company/ Name/ Expert	Description of deficiencies / measures	Date of next regular inspection
	Yes	No				
<p>System check</p> <ul style="list-style-type: none"> • No deformation of the individual parts detectable • All screws and connections tightened • Rope guides without damage <p>Visual inspection of the attachment points and accessories (fasteners, etc.) by an authorized specialist.</p>						

*** In the event of stress due to a fall or if there is any doubt, the anchor device must be withdrawn from use immediately and sent to the manufacturer or a specialist workshop for inspection and repair. This also applies to damage to the lifting gear.

The responsible person must fill in the document and keep it safely in a protected place with the instructions for use (e.g. property management)

When accessing the roof safety system, the positions of the anchor devices must be documented by plans (e.g. sketch of the roof top view)!

10. Notes



GREEN International Absturzsicherungs GmbH

Fabriksplatz 1/10, 4662 Steyrermühl

Tel.: +43 7613 32498-0

Fax: +43 7613 32498-16

office@green-gmbh.at

www.green-international.at