

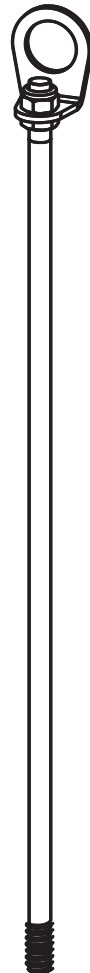


Installation and User Manual
Read the product description carefully



GREEN

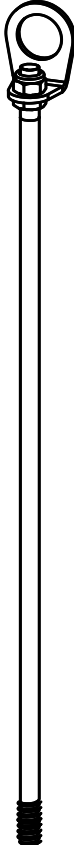
INTERNATIONAL



GREEN OF H

ENGLISH

DE	ACHTUNG		Die Montage und die Verwendung der Sicherungseinrichtung ist erst zulässig, nachdem der Monteur und der Anwender die Original Aufbau- und Verwendungsanleitung in der jeweiligen Landessprache gelesen hat.
EN	ATTENTION		Assembling and using of the safety product is only allowed after the assembler and user read the original installation and application instruction in his national language.
FR	ATTENTION		Le montage et l'utilisation du dispositif de sécurité ne sont autorisés qu'après lecture par le monteur et par l'utilisateur de la notice d'origine de montage et d'utilisation dans la langue du pays concerné.
IT	ATTENZIONE		Il montaggio e l'uso del dispositivo di sicurezza è ammesso soltanto dopo che il montatore e l'utente hanno letto le istruzioni per l'installazione e l'uso nella rispettiva lingua nazionale.
ES	ATENCIÓN		No está permitido montar ni usar el dispositivo de protección antes de que el montador y el usuario hayan leído las instrucciones de montaje y uso originales en la lengua del respectivo país.
PT	ATENÇÃO		A montagem e o emprego do mecanismo de proteção somente serão permitidos, após o montador e o usuário terem lido as instruções de uso originais, no respectivo idioma do país, sobre a montagem e o emprego do mesmo.
NL	ATTENTIE		De montage en het gebruik van de veiligheidsinrichting is pas toegestaan, nadat de monteur en de gebruiker de originele montage en gebruikershandleiding in de desbetreffende taal gelezen hebben.
HU	FIGYELEM		A biztonsági berendezés felszerelése és használata csak az után megengedett, miután a szerelést végző és a használó személyek a nemzeti nyelvükre lefordított, eredeti használati utasítást elolvasták és megértették.
SL	POZOR		Montaža in uporaba varnostnih naprav je dovoljena šele takrat, ko sta monter in uporabnik prebrala originalna navodila za montažo in uporabo v konkretnem jeziku.
CZ	POZOR		Montáž a používání zabezpečovacího zařízení jsou povoleny až poté, co si pracovníci provádějící montáž a uživatelé přečetli v příslušném jazyce originální návod k montáži a používání.
TR	DİKKAT		Güvenlik tertibatının montajına ve kullanımına, ancak montaj teknisyeni ve kullanıcı, orijinal kurulum ve kullanma talimatını kendi ülke dilinde okuduktan sonra, izin verilir.
NO	OBS		Monteringen og anvendelsen av sikkerhetsinnretningene er gyldige først etter at montøren og brukeren har lest den originale oppbygnings- og bruksanvisningen i det tilsvarende landets språk.
SV	OBS		Säkerhetsanordningen får inte monteras och användas förrän montören och användaren har läst igenom konstruktionsbeskrivningen och bruksanvisningen i original på resp lands språk.
FI	HUOMIO		Turvallitteiden asennus ja käyttö on sallittu vasta, kun asentaja ja käyttäjä ovat lukeneet alkuperäisen asennus- ja käyttöohjeen omalla kielellään.
DA	GIV AGT		Montagen og brugen af sikkerhedsudstyret er først tilladt, efter at montøren og brugeren har læst den originale vejledning i samling og brug på det pågældende lands sprog.



PROJECT DATA

SYSTEM DESCRIPTION

INSTALLATION COMPANY

Table of Contents

1. General safety instructions	5
2. Technical specifications: GREEN OF H	6
3. Design and assembly of the attachment device	7
4. Installation variant: Screws in solid wood at least 14 x 14 cm	8
4.1. Installation variant: Screwing into construction wood 14 cm x 14 cm	8
5. Registered notified body	9
6. Mounting element	10
7. Assembly protocol	11
8. Control card	12
9. Notes	13
10. Notes	14
11. Notes	15

1. General safety instructions

- The GREEN OF H anchorage device may only be installed by persons with proper knowledge of the roof safety system.
- The system may only be installed or used by persons who are familiar with these operating instructions, as well as with the local safety regulations, are physically or mentally healthy and trained on PPE (personal protective equipment).
- Health restrictions (cardiac and circulatory problems, medication intake, alcohol) can affect the safety of the user when working at height.
- The respective accident prevention regulations (e.g.: work on roofs) must be observed during assembly / use of the GREEN OF H anchorage device.
- There must be a plan covering rescue measures in all possible emergencies.
- Before commencing work, measures must be taken to ensure that no objects can fall down from the workstation. The area under the workstation (footpath, etc.) is to be kept free.
- The installers must ensure that the subfloor is suitable for the attachment of the anchorage device. In case of doubt, a structural engineer must be consulted.
- The anchorage device on the roof is designed for loading in all directions parallel to the mounting surface or perpendicular to the supports.
- If any uncertainties occur during assembly, please contact the manufacturer.
- The sealing of the roofing has to be carried out according to the relevant guidelines.
- The proper fastening of the safety system on the structure must be documented in dowel protocols and by photos of the respective installation situation.
- Stainless steel must not come into contact with grinding dust or steel tools. This can lead to corrosion.
- All stainless steel bolts must be greased with a suitable lubricant before assembly.
- The anchorage point should be planned, installed and used so that falling over the edge is not possible with appropriate use of personal protective equipment.
- When accessing the roof securing system, the positions of the anchorage devices (e.g.: sketch of roof top view) are to be documented in design plans.
- The minimum clearance from the falling edge to the ground is calculated as:
 - Manufacturer specification of the personal protective equipment to be used,
 - incl. rope deflection
 - + body size
 - + 1 m safety margin.
- The attachment to the GREEN OF H always happens with a carabiner to the swirl eye and must be done with a harness in accordance with EN 361 and a force-absorbing fall absorber with lanyard (EN 355 and EN 354).
- Attention: For horizontal application, only fasteners suited for this purpose and for the corresponding edge designs (sharp edges, trapezoid sheet, steel beam, concrete, etc.) may be used.
- The combination of individual elements of the equipment referred to can cause risks, because the safe functioning of an element can be impaired. (Note the respective operating instructions!)
- The entire safety system must be checked before use for obvious defects by visual inspection (e.g. loose screw connections, deformations, abrasion, corrosion, defective roof sealing, etc.).
- If there are doubts as to the safety of the security system, it must be inspected by an expert (written documentation).
- The entire safety product must at least once be subjected to an annual inspection by an expert. The inspection by an expert must be documented on the provided control sheet.
- After a fall event, the further use of the entire system is to be avoided and must be checked by an expert (component parts, fastening to the ground, etc.).
- A plastically deformed (bent) support must not be bent back.
- The GREEN OF H was developed for personal safety and may not be used for other purposes. Never attach loads to the safety system.
- Do not make any changes to the approved anchorage device.
- If wind speeds exceed the usual measure, stop using the safety systems.
- For sloping roofs, roof avalanches (ice, snow) must be prevented by suitable devices to intercept snow.
- If you provide the safety system to external contractors, the instructions for assembly and use are to be provided in writing.
- The GREEN OF H has been tested according to EN 795-A2 and may be used only as an anchorage point on flat or slightly sloping roofs.
- The GREEN OF H must not be installed horizontally (e.g. in facades) or on the lower side of the slab („overhead“).
- Attention: Snow clearance at the facility required due to snow pressure load.

2. Technical specifications: GREEN OF H

Standards / approvals of the attachment device:

DIN EN 795:2012 Type A for 1 person

CEN/TS 16415 Type A for 2 persons

DIBt Admission Z-14.9-725 for 2 Persons

Attachment „GREEN OF H 500:

Height: 500 -> 1,000 mm

Material: corrosion-resistant stainless steel

Bar plate: corrosion-resistant stainless steel

Substrate: Construction timber at least C24;

Dimensions: at least 140 x 140 mm

Load capacity of the attachment device:

Max. 2 persons per stop

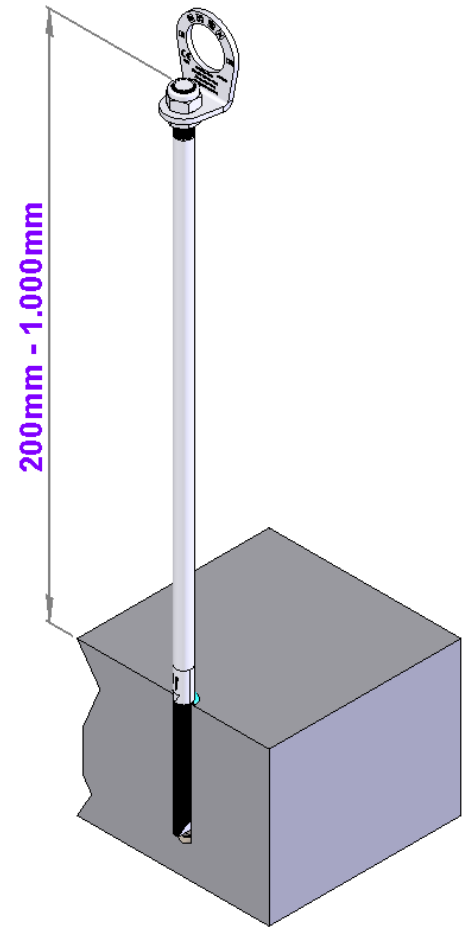
GREEN OF H has been tested and certified according to EN 795:

2012-Type: A The test was carried out statically and dynamically at the respective original background.

GREEN OF H is designed as a substructure for the attachment of intermediate

Brackets of a horizontal rope safety system

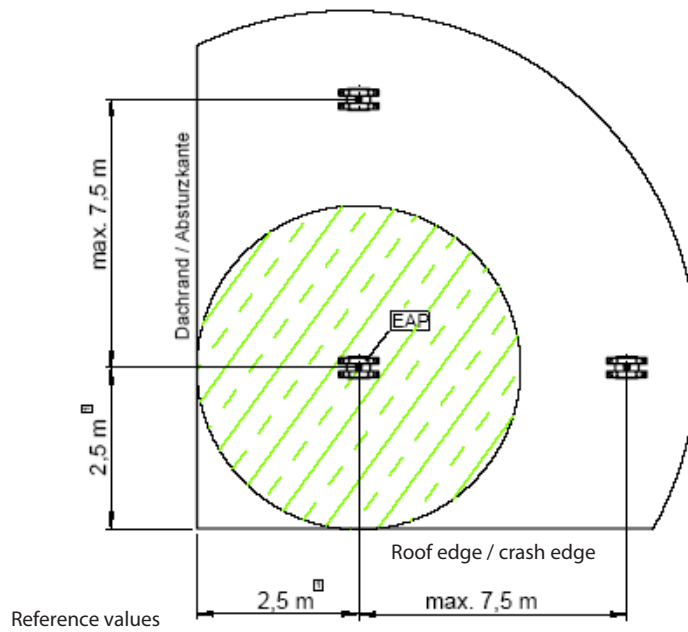
DIN EN 795: 2012-Type: C suitable.



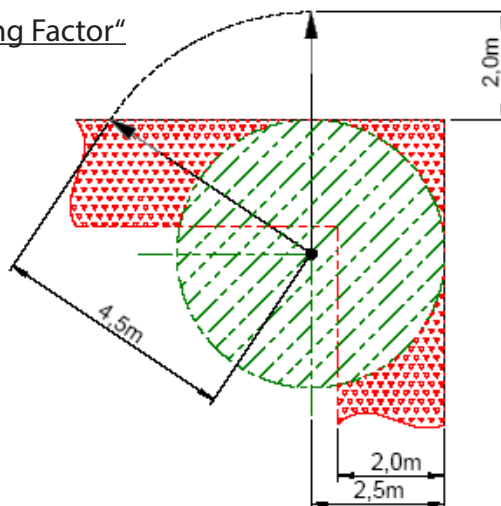
3. Design and assembly of the attachment device

The construction and assembly apply to all construction heights of the anchor device. The installation of the anchor device „GREEN OF H“ is carried out with a recommended minimum distance of 2.5 m to the roof edge / falling edge. The basic requirement is a static load-bearing substructure and compliance with the installation instructions and the safety instructions. If there is any doubt about the nature of the substrate, consult a structural engineer. The single stop point must be positioned in such a way that the maximum fall factor 1 (= maximum of 2 m) results in the event of a fall over the edge of the fall. -> see sketch „fall factor“

Position plan „roof“



Plan „Falling Factor“



4. Installation variant: Screws in solid wood at least 14 x 14 cm

GREEN OF H:
Item No. 4618 00 00

Necessary tool:

- Wood drill $\varnothing 16$ and open - end wrench SW 24
- Cordless screwdriver
- Bit Torx 30

Only the fixing material supplied by Grün may be used. No parts may be replaced. The load-bearing capacity of the anchorage base must be determined before mounting.

The mounting may only be carried out in constructional wood, at least C24 to EN 338.

4.1. Installation variant: Screwing into construction wood 14 cm x 14 cm

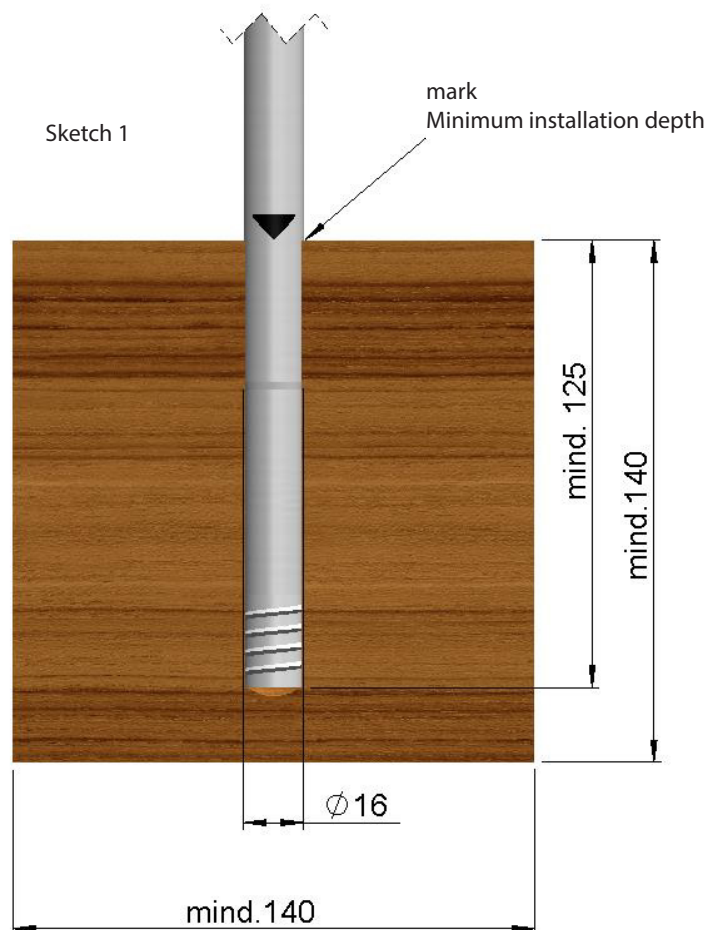
The installation of the safety holder is performed with a minimum distance of 3 m to the roof edge. The intermediate distances of each holder may amount to 4 - 6 m (max. 7.5 m) when used as an anchorage construction. The basic requirement is a statically bearing

substructure according to DIN 1052 and complying with the assembly instructions. In case of doubt, a structural engineer must be consulted.

Installation steps:

- Drill borehole exactly $\varnothing 16$ mm in the center in the construction wood with suitable wood drill according to sketch 1 125 mm deep.
- Screw the GREEN OF H up to the marking (see sketch 1) in the construction wood.
- Ensure the tight fit of the anchorage point.

For fastening the anchorage eye (swirl eye) see chapter 4



5. Registered notified body



DEKRA EXAM GmbH
Prüflaboratorium für Bauteilsicherheit Dinnendahlstraße 9
D - 44809 Bochum
Verification number: NB 0158

6. Mounting element

For roof access (system access), this notice by the owner shall be placed and be clearly visible:

NOTES ON THE EXISTING ROOF SAFETY SYSTEM

The use is restricted to adhering to the assembly and use instructions.

Depository of assembly and use instructions, test records, etc. is:

- Overview diagram showing the position of the anchorage devices:

- Manufacturer and system name: GREEN OF H
- Date of last audit: _____
- Highest number of persons to be protected: 4 persons
- Need for energy absorbers yes

- The minimum clearance from the falling edge to the ground is calculated as:

Manufacturer specification of the personal protective equipment to be used,
incl. rope deflection
+ body size
+ 1 m safety margin.

8. Control card

Performed activities	Identified Defects		Date	Company / name / Expert	Description of defect / Activities	Date of the next scheduled review
	Yes	No				
<p>System review</p> <ul style="list-style-type: none"> No deformation of the individual parts recognizable all screws and connections tight Rope guides undamaged <p>Visual inspection of the attachment points and accessories (fasteners, etc.) by an authorized expert.</p>						

*** In the event of a fall or in case of doubt, the anchorage device shall be withdrawn immediately from use and sent to the manufacturer or a specialized workshop for inspection and repair. This also applies to damage to the slings.

The document must be completed by the person in charge and kept in a safe place together with the instructions for use (e.g. property management)

When accessing the roof safety system, the positions of the anchorage devices are to be documented in plans (e.g. a sketch of the roof-top view)!

9. Notes

10.Notes

11.Notes

WORK SAFETY IN THE GREEN FIELD

Fall safety is mandatory in Austria. For several years, all professionals have been undertaking their work secured to the roof. Meanwhile, this is closely monitored by the Labour Inspectorate. Not only in the case of installation companies but also for building owners. So, everyone must be secured.
Do it GREEN.



GREEN International Absturzsicherungs GmbH
Fabrikplatz 1/10, 4662 Steyrermühl
Tel.: +43 7613 32498-0
Fax: +43 7613 32498-16

office@green-gmbh.at
www.green-international.at

20191210